

Ratio Options	1
4PD08	
1.40 Dec.	
1.34 Dec.	
1.23 Dec.	
1.13 Dec.	
1:1	
1.13 Inc.	
1.23 Inc.	
1.34 Inc.	
1.40 Inc.	
1.53 Inc.	

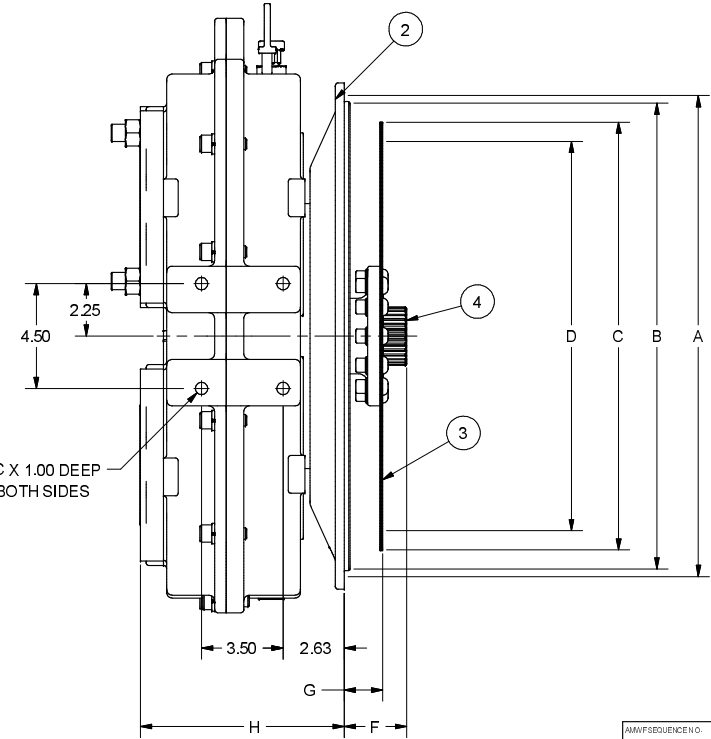
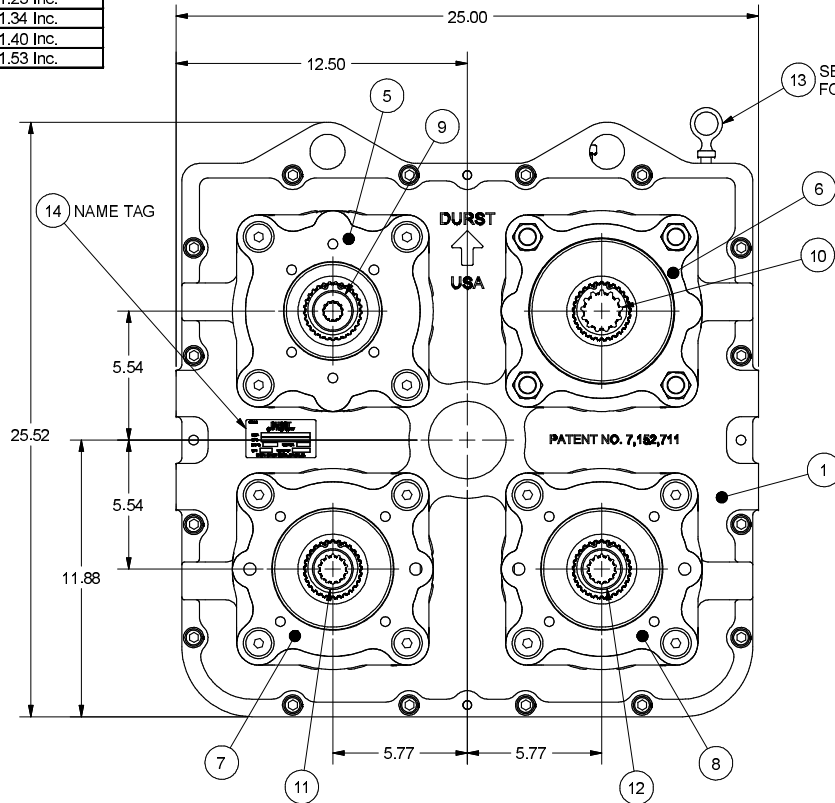
SAE Engine Adapter Options				2
SAE No.	Dim. A	Dim. B	Bolt Size & Qty.	
1	20.875	20.125	7/16-14 (12)	
2	18.375	17.625	3/8-16 (12)	
3	16.875	16.125	3/8-16 (12)	
4	15.000	14.250	3/8-16 (12)	

SAE Drive Plate Options					3
SAE No.	Dim. C	Dim. D	Dim. G	Bolt Size & Qty.	
14	18.375	17.250	1.000	1/2-13 (8)	
11.5	13.875	13.125	1.563	3/8-16 (8)	
10	12.375	11.625	2.125	3/8-16 (8)	
8	10.375	9.625	2.438	3/8-16 (6)	

Input Shaft Options		4
Shaft Description	Dim. F	
29T-12/24	2.68	
20T-10/20	2.68	
15T-8/16	2.68	
2-1/2 Dia. Keyed	2.13	
2-1/4 Dia. Keyed	2.13	

SAE Pump Pad Adapters					5	6	7	8
SAE Size	Bolt Size & Qty.	Bolt Circle	Pilot Dia.	Dim. H				
A	3/8-16 (2)	4.187	3.25	8.75				
B	1/2-13 (2)	5.750	4.00	8.75				
B	1/2-13 (4)	5.000	4.00	8.75				
C	5/8-11 (2)	7.125	5.00	8.75				
C	1/2-13 (4)	6.375	5.00	8.75				
D	3/4-10 (4)	9.000	6.00	8.75				
D2	3/4-10 (2)	9.000	6.00	8.88				
E	3/4-10 (4)	12.500	6.50	8.88				
F	1.00-8 (4)	13.781	7.00	9.25				

SAE Pump Spline Adapters		9	10	11	12
SAE Size	Teeth & Pitch				
A	93T-16/32				
B	13T-16/32				
BB	15T-16/32				
C	14T-12/24				
CC	17T-12/24				
D	13T-8/16				
F	15T-8/16				
21	21T-16/32				
23	23T-16/32				
27	27T-16/32				



NOTE:

- REFER TO ASSEMBLY BOOK FOR ADAPTER MOD DRAWINGS.
- LUBRICATE ALL ORINGS PRIOR TO INSTALLATION.
- APPLY SILVER STREAK #200S TO EXTERNAL SPLINES OF INPUT SHAFT.
- USE LOCTITE 609 WHEN INSTALLING EXP. PLUG, P/N 012043.
- USE LOCTITE 609 WHEN INSTALLING DIPSTICK, AND DIPSTICK HOLE PLUG, P/N 012326.
- DO NOT USE LOCTITE ON PUMP PAD SCREWS.
- TIGHTEN 1/2" SCREWS: 105 FT.LBS.
- TIGHTEN 5/8" SCREWS: 210 FT.LBS.
- OIL MUST MEET API GP-5 SPEC: 80W90, EP90 OR EQUIVALENT.
- WHEN ORDERING PARTS REFER TO THE DURST SERVICE MANUAL.

PATENT NO. 7,152,711

CAUTION

Always insure that your powertrain is free of torsional vibrations. DURST is not responsible for damage or failure due to unaddressed torsional vibrations.

REV.	W.O. NO.	ZONE	DESCRIPTION	BY	DATE	DRAWN BY	DATE	SCALE	THIRD ANGLE PROJECT	TITLE	PART NO.	SEE D			
4	27445		ADDED 1:13 RATIOS	KTS	12/07					ALL DIMENSIONS IN INCHES UNLESS OTHERWISE SPECIFIED. CASTINGS ALLOW 12 FINISH STOCK ON MACHINED SURFACES. FILLETS AND RADII: 12 MAX. MACHINING TOLERANCES: X = ±.005 FRACTION = .004 ANGLE = 30° FINISH: 320/324 0.05 WHERE USED: MODEL: N/A	THIS PRINT IS CONFIDENTIAL AND IS THE PROPERTY OF DURST. DM - REGAL BELLOF CORP. THIS PRINT SHALL NOT BE USED, COPIED, OR REPRODUCED IN WHOLE OR IN PART, NOR SHALL THE CONTENTS BE REVEALED IN ANY MANNER TO ANYONE UNLESS WRITTEN PERMISSION IS OBTAINED FROM DURST. DM - REGAL BELLOF CORP.	DURST DIVISION OF REGAL BELLOF CORP. P.O. BOX 290 BELLEVILLE, MISSOURI 63811	4PD08 DRIVE PLATE CHARTED DRAWING	4PD08	3:8
3	27445		REVISE NOTE 8, ADD PATENT NO.	WEM	06/07										
2	25834		UPDATED SPLINE CHART	NJS	11/05/04										
1	24560		RELEASED TO PRODUCTION	NJS	00/1/04										