

| Ratio Options | 1 |
|---------------|---|
| 4PD11 | |
| 1.39 Dec. | |
| 1.31 Dec. | |
| 1.16 Dec. | |
| 1:1 | |
| 1.16 Inc. | |
| 1.31 Inc. | |
| 1.39 Inc. | |

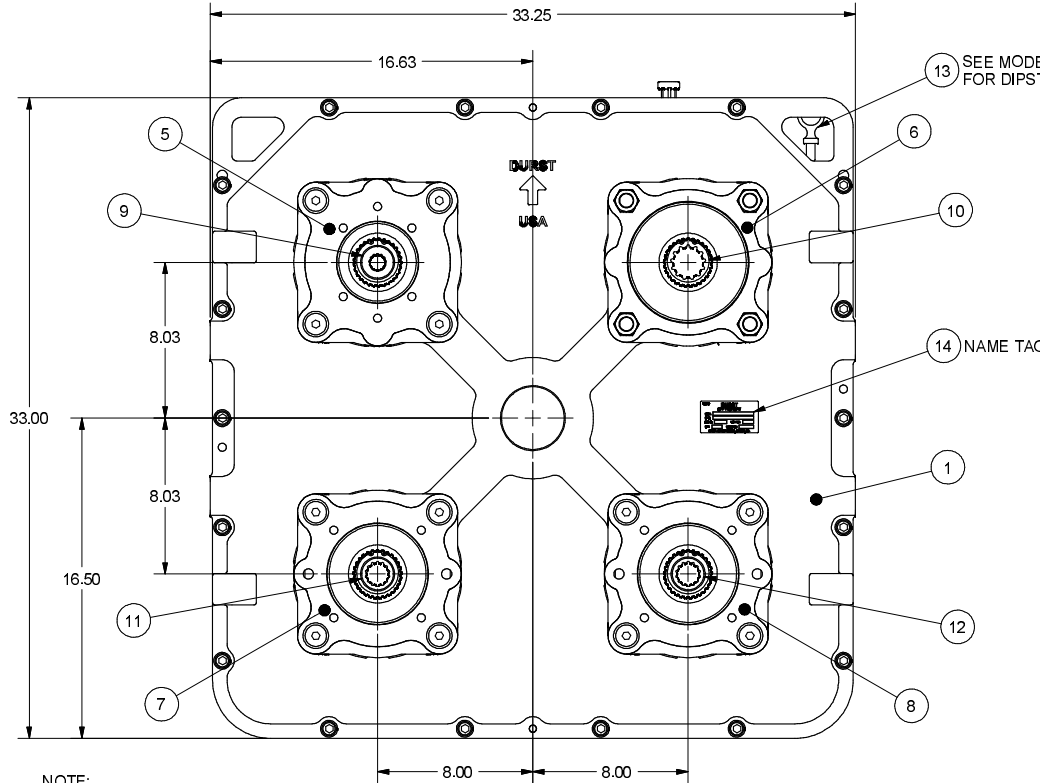
| SAE Engine Adapter Options | | | | 2 |
|----------------------------|--------|--------|------------------|---|
| SAE No. | Dim. A | Dim. B | Bolt Size & Qty. | |
| 1 | 20.875 | 20.125 | 7/16-14 (12) | |
| 2 | 18.375 | 17.625 | 3/8-16 (12) | |
| 3 | 16.875 | 16.125 | 3/8-16 (12) | |
| 4 | 15.000 | 14.250 | 3/8-16 (12) | |

| SAE Drive Plate Options | | | | | 3 |
|-------------------------|--------|--------|--------|------------------|---|
| SAE No. | Dim. C | Dim. D | Dim. G | Bolt Size & Qty. | |
| 14 | 18.375 | 17.250 | 1.000 | 1/2-13 (8) | |
| 11.5 | 13.875 | 13.125 | 1.563 | 3/8-16 (8) | |
| 10 | 12.375 | 11.625 | 2.125 | 3/8-16 (8) | |
| 8 | 10.375 | 9.625 | 2.438 | 3/8-16 (6) | |

| Input Shaft Options | | 4 |
|---------------------|--------|---|
| Shaft Description | Dim. F | |
| 29T-12/24 | 2.68 | |
| 20T-10/20 | 2.68 | |
| 15T-8/16 | 2.68 | |
| 2-1/2 Dia. Keyed | 2.13 | |
| 2-1/4 Dia. Keyed | 2.13 | |

| SAE Pump Pad Adapters | | | | | 5 | 6 | 7 | 8 |
|-----------------------|------------------|-------------|------------|--------|---|---|---|---|
| SAE Size | Bolt Size & Qty. | Bolt Circle | Pilot Dia. | Dim. H | | | | |
| A | 3/8-16 (2) | 4.187 | 3.25 | 8.75 | | | | |
| B | 1/2-13 (2) | 5.750 | 4.00 | 8.75 | | | | |
| B | 1/2-13 (4) | 5.000 | 4.00 | 8.75 | | | | |
| C | 5/8-11 (2) | 7.125 | 5.00 | 8.75 | | | | |
| C | 1/2-13 (4) | 6.375 | 5.00 | 8.75 | | | | |
| D | 3/4-10 (4) | 9.000 | 6.00 | 8.75 | | | | |
| D2 | 3/4-10 (2) | 9.000 | 6.00 | 8.88 | | | | |
| E | 3/4-10 (4) | 12.500 | 6.50 | 8.88 | | | | |
| F | 1.00-8 (4) | 13.781 | 7.00 | 9.25 | | | | |

| SAE Pump Spline Adapters | | | 9 | 10 | 11 | 12 |
|--------------------------|---------------|--|---|----|----|----|
| SAE Size | Teeth & Pitch | | | | | |
| A | 9T-16/32 | | | | | |
| B | 13T-16/32 | | | | | |
| BB | 15T-16/32 | | | | | |
| C | 14T-12/24 | | | | | |
| CC | 17T-12/24 | | | | | |
| D | 13T-8/16 | | | | | |
| F | 15T-8/16 | | | | | |
| 21 | 21T-16/32 | | | | | |
| 23 | 23T-16/32 | | | | | |
| 27 | 27T-16/32 | | | | | |



NOTE:

- REFER TO ASSEMBLY BOOK FOR ADAPTER MOD DRAWINGS.
- LUBRICATE ALL ORINGS PRIOR TO INSTALLATION.
- APPLY SILVER STREAK #200S TO EXTERNAL SPLINES OF INPUT SHAFT.
- USE LOCTITE 609 WHEN INSTALLING EXP. PLUG, P/N 012043.
- USE LOCTITE 609 WHEN INSTALLING DIPSTICK, AND DIPSTICK HOLE PLUG, P/N 012326.
- DO NOT USE LOCTITE ON PUMP PAD SCREWS.
- TIGHTEN 1/2" SCREWS: 105 FT.LBS.
- TIGHTEN 5/8" SCREWS: 210 FT.LBS.
- OIL MUST MEET API GL-5 SPEC: 80W90, EP90 OR EQUIVALENT.
- WHEN ORDERING PARTS REFER TO THE DURST SERVICE MANUAL.

PATENT NO. 7,152,711

CAUTION

Always insure that your powertrain is free of torsional vibrations. DURST is not responsible for damage or failure due to unaddressed torsional vibrations.

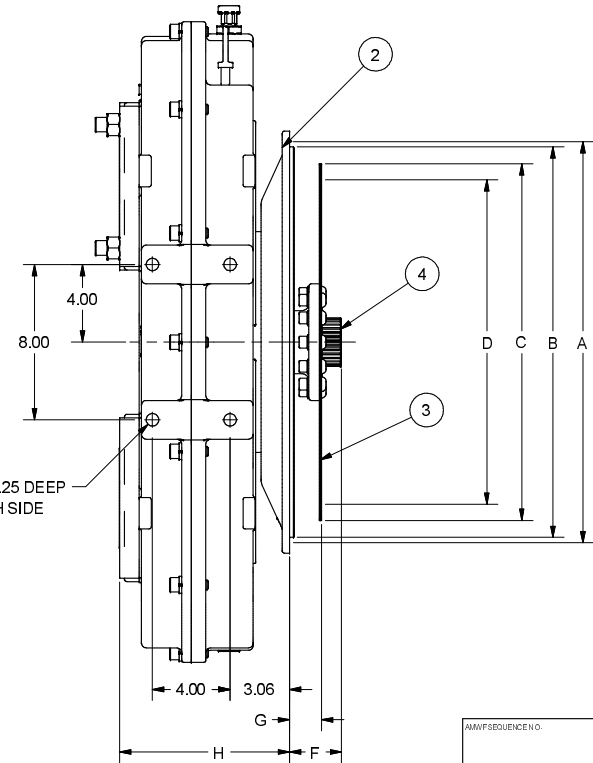
13 SEE MODEL DESCRIPTION FOR DIPSTICK LOCATION

14 NAME TAG

NOTE:

PUMP ROTATION IS OPPOSITE ENGINE ROTATION

3/4-10 UNC X 1.25 DEEP
(4) PLCS. BOTH SIDE



AMMIFSEQUENCE I/O

REF

| REV | W.O. NO. | ZONE | DESCRIPTION | BY | DATE | SCALE | THIRD ANGLE PROJECT | TITLE | PART NO. | SEE D |
|-----|----------|------|-------------------------------|-----|----------|-------|---------------------|-----------------------------------|----------|-------|
| 3 | 27444 | | REVISE NOTE 8, ADD PATENT NO. | WEM | 05/07 | | | 4PD11 DRIVE PLATE CHARTED DRAWING | 4PD11D | |
| 2 | 26834 | | UPDATED SPLINE CHART | NJS | 11/05/04 | | | | | |
| 1 | 24580 | | RELEASED TO PRODUCTION | NJS | 9/01/04 | | | | | |

ALL DIMENSIONS IN INCHES UNLESS OTHERWISE SPECIFIED. CASTINGS ALLOW .12 FINISH STOCK ON MACHINED SURFACES. RILETS AND RADII .12 MAX. MACHINING TOLERANCES: X = .00 FIVE = .004 XX = .00 ANGLE = 30 3204 005 1/2 FINISH WHERE USED

THIS PRINT IS CONFIDENTIAL AND IS THE PROPERTY OF DURST. DM REGAL BELLOTT CORP. THIS PRINT SHALL NOT BE USED, COPIED, OR REPRODUCED IN WHOLE OR IN PART, NOR SHALL THE CONTENTS BE REVEALED IN ANY MANNER TO ANYONE UNLESS WRITTEN PERMISSION IS OBTAINED FROM DURST. DM REGAL BELLOTT CORP.

DURST
DIVISION OF REGAL BELLOTT CORP.
P.O. BOX 290
BELLOTT, WISCONSIN 53511

MATERIAL: SCALE: 3 : 8 THIRD ANGLE PROJECT TITLE: 4PD11 DRIVE PLATE CHARTED DRAWING PART NO.: 4PD11D