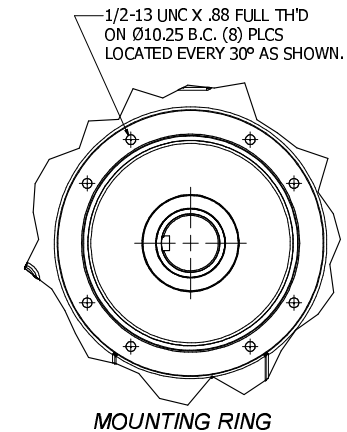
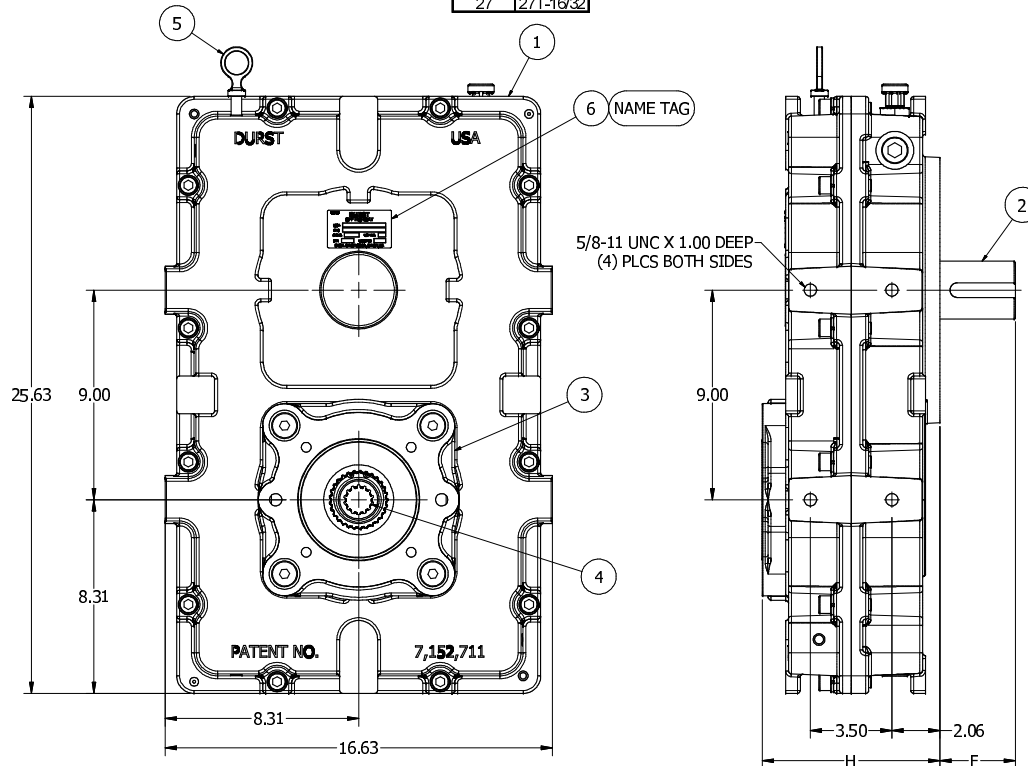


Ratio Options	1
1PD09	
2.00 Dec.	
1.70 Dec.	
1.40 Dec.	
1.30 Dec.	
1.20 Dec.	
1.12 Dec.	
1.1	
1.12 Inc.	
1.20 Inc.	
1.30 Inc.	
1.40 Inc.	
1.70 Inc.	
2.00 Inc.	

Input Shaft Options			2
Shaft Description	Dim.	F	
1810 Companion	2.62		
1610 Companion	2.62		
1550 Companion	2.62		
2-1/2 Dia. Keyed	3.25		
2-1/4 Dia. Keyed	3.25		
20T-12/24	3.80		
20T-10/20	3.80		
15T-8/16	3.80		

SAE Pump Pad Adapters					3
SAE Size	Bolt Size & Qty.	Bolt Circle	Pilot Dia.	Dim. H	
A	3/8-16 (2)	4.187	3.25	7.63	
B	1/2-13 (2)	5.750	4.00	7.63	
	1/2-13 (4)	5.000	4.00	7.63	
C	5/8-11 (2)	7.125	5.00	7.63	
	1/2-13 (4)	6.375	5.00	7.63	
D	3/4-10 (4)	9.000	6.00	7.63	
D2	3/4-10 (2)	9.000	6.00	7.75	
E	3/4-10 (4)	12.500	6.50	7.75	
F	1.00-8 (4)	13.781	7.00	8.13	

SAE Pump Spline Adapters		4
SAE Size	Teeth & Pitch	
A	9T-16/32	
B	13T-16/32	
BB	15T-16/32	
C	14T-12/24	
CC	17T-12/24	
D	13T-8/16	
F	15T-8/16	
21	21T-16/32	
23	23T-16/32	
27	27T-16/32	



NOTES:

- 1) REFER TO ASSEMBLY BOOK FOR ADAPTER MOD DRAWINGS.
- 2) LUBRICATE ALL O-RINGS PRIOR TO INSTALLATION.
- 3) USE LOCTITE 680 WHEN INSTALLING EXPANSION PLUG, P/N 012043.
- 4) USE LOCTITE 680 WHEN INSTALLING DIPSTICK, AND DIPSTICK HOLE PLUG, P/N 012326.
- 5) DO NOT USE LOCTITE ON FLAT HEAD PUMP PAD SCREWS.
- 6) TIGHTEN 1/2" SCREWS: 105 FT-LBS.
- 7) TIGHTEN 5/8" SCREWS: 210 FT-LBS.
- 8) OIL MUST MEET API GL-5 SPEC: 80W90,EP90 OR EQUIVALENT.
- 9) WHEN ORDERING PARTS REFER TO THE DURST SERVICE MANUAL.

PATENT NO. 7,152,711

CAUTION
Always insure that your powertrain is free of torsional vibrations. DURST is not responsible for damage or failure due to unaddressed torsional vibrations.

ALL DIMENSIONS IN UNITS UNLESS OTHERWISE SPECIFIED. ALLOW 0.005 TYPICAL SURFACE FINISH ON MACHINED SURFACES. FILLETED EDGES TO MATCH MACHINING TOLERANCES. X = 0.000 FRAC = 1/64 XX = 0.000 ANGLE = 30° XXX = 0.000 1/4" FINISH		THIS PRINT IS CONFIDENTIAL AND IS THE PROPERTY OF DURST DIV. OF REGAL BELLOTT CORP. THIS PRINT SHALL NOT BE USED, COPIED, OR REPRODUCED IN WHOLE OR IN PART. NOR SHALL THE CONTENTS BE REVEALED IN ANY MANNER TO ANYONE UNLESS WRITTEN PERMISSION IS OBTAINED FROM DURST DIV. REGAL BELLOTT CORP.		<p>DIVISION OF REGAL BELLOTT CORP. P.O. BOX 288 BLOOMINGDALE, IL 61711</p>	
MATERIAL		TITLE		PART NO.	
		1PD09I INDEPENDENT CHARTED DRAWING		1PD09I	
DRAWN BY		DATE		SCALE	
MEM		5/11/11		3/8:1	
RELEASED TO PRODUCTION		MEM		THIRD ANGLE PROJECT	
30731		BY		PROJECT	
ZONE		DATE		SIZE	
				D	