

Ratio Options	1
3PD08	
1.40 Dec.	
1.34 Dec.	
1.23 Dec.	
1.13 Dec.	
1:1	
1.13 Inc.	
1.23 Inc.	
1.34 Inc.	
1.40 Inc.	
1.53 Inc.	

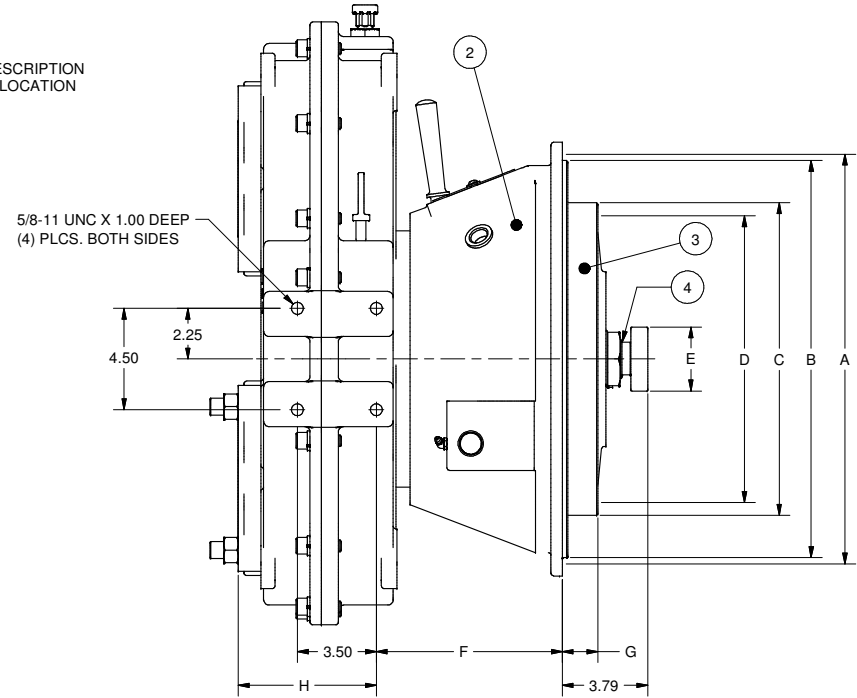
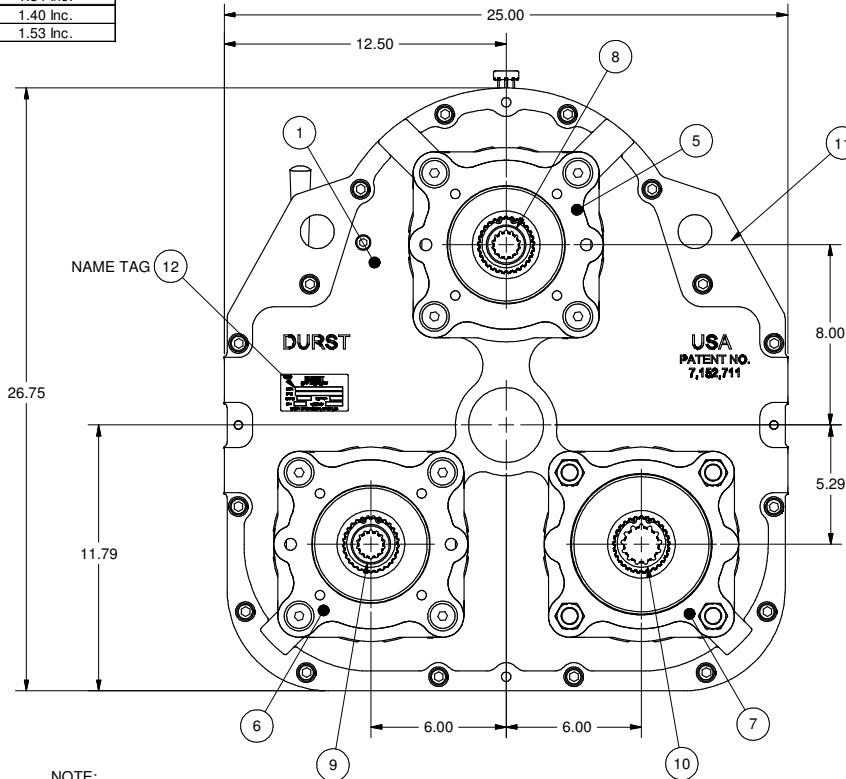
SAE Clutch Housing Options				2
SAE No.	Dim. A	Dim. B	Bolt Size & Qty.	
1	20.875	20.125	7/16-14 (12)	
2	18.375	17.625	3/8-16 (12)	
3	16.875	16.125	3/8-16 (12)	

SAE Clutch Options						3
Clutch No.	Dim. C	Dim. D	Dim. F	Dim. G	Bolt Size & Qty.	
SP214	18.375	17.250	11.12	1.00	(8) 17/32	
SP211	13.875	13.125	8.25	1.56	(8) 13/32	
SP114	18.375	17.250	8.25	1.00	(8) 17/32	
C111	13.875	13.125	8.25	1.56	(8) 13/32	
C110	12.375	11.625	8.25	2.12	(8) 13/32	

Pilot Bearing	
Std. Bearing No.	Dim. E
6407 ZZ	3.9370
6307 ZZ	3.1496
6207 ZZ	2.8346

SAE Pump Pad Adapters					5	6	7
SAE Size	Bolt Size & Qty.	Bolt Circle	Pilot Dia.	Dim. H			
A	3/8-16 (2)	4.187	3.25	5.69			
B	1/2-13 (2)	5.750	4.00	5.69			
B	1/2-13 (4)	5.000	4.00	5.69			
C	5/8-11 (2)	7.125	5.00	5.69			
C	1/2-13 (4)	6.375	5.00	5.69			
D	3/4-10 (4)	9.000	6.00	5.69			
D2	3/4-10 (2)	9.000	6.00	5.81			
E	3/4-10 (4)	12.500	6.50	5.81			
F	1.00-8 (4)	13.781	7.00	6.19			

SAE Pump Spline Adapters			8	9	10
SAE Size	Teeth & Pitch				
A	9T-16/32				
B	13T-16/32				
BB	15T-16/32				
C	14T-12/24				
CC	17T-12/24				
D	13T-8/16				
F	15T-8/16				
21	21T-16/32				
23	23T-16/32				
27	27T-16/32				



NOTE:

- REFER TO ASSEMBLY BOOK FOR ADAPTER MOD DRAWINGS.
- LUBRICATE ALL ORINGS PRIOR TO INSTALLATION.
- APPLY SILVER STREAK #200S TO EXTERNAL SPLINES OF INPUT SHAFT.
- USE LOCTITE 609 WHEN INSTALLING EXP. PLUG, P/N 012043.
- USE LOCTITE 609 WHEN INSTALLING DIPSTICK, AND DIPSTICK HOLE PLUG, P/N 012326.
- DO NOT USE LOCTITE ON PUMP PAD SCREWS.
- TIGHTEN 1/2" SCREWS: 105 FT.LBS.
- TIGHTEN 5/8" SCREWS: 210 FT.LBS.
- OIL MUST MEET API GL-5 SPEC: 80W90, EP90 OR EQUIVALENT.
- WHEN ORDERING PARTS REFER TO THE DURST SERVICE MANUAL.

PATENT NO. 7,152,711

**CAUTION**  
Always insure that your powertrain is free of torsional vibrations. DURST is not responsible for damage or failure due to unaddressed torsional vibrations.

REV	W/O. NO.	ZONE	DESCRIPTION	BY	DATE
5	30214		DIM "F" FOR SP214 WAS 11.20, OTHER "F" DIMS WERE 8.69	KTS	9/24/10
4	27445		ADDED 1.13 RATIOS	KTS	12/4/07
4	27445		ADDED 1.13 RATIOS	KTS	12/4/07
3	27445		REVISE NOTE 9, ADD PATENT NO.	WEM	8/5/07
2	25724		UPDATED ITEM NUMBERS	NJS	9/24/04
1	24560		RELEASED TO PRODUCTION	NJS	9/02/04

MODEL	WHERE USED
N/A	

SCALE	THIRD ANGLE PROJECT
3:8	

AM/FM SEQUENCE NO.

**DURST**  
DIVISION OF REGAL-BELT CORP.  
P.O. BOX 298  
BELLEVILLE, MISSOURI 63811

TITLE  
**3PD08 CLUTCH CHARTED DRAWING**

PART NO.  
**3PD08C**

SIZE  
D