

Ratio Options	1
1PD09	
2.00 Dec.	
1.70 Dec.	
1.40 Dec.	
1.30 Dec.	
1.20 Dec.	
1.12 Dec.	
1.1	
1:12 Inc.	
1.20 Inc.	
1.30 Inc.	
1.40 Inc.	
1.70 Inc.	
2.00 Inc.	

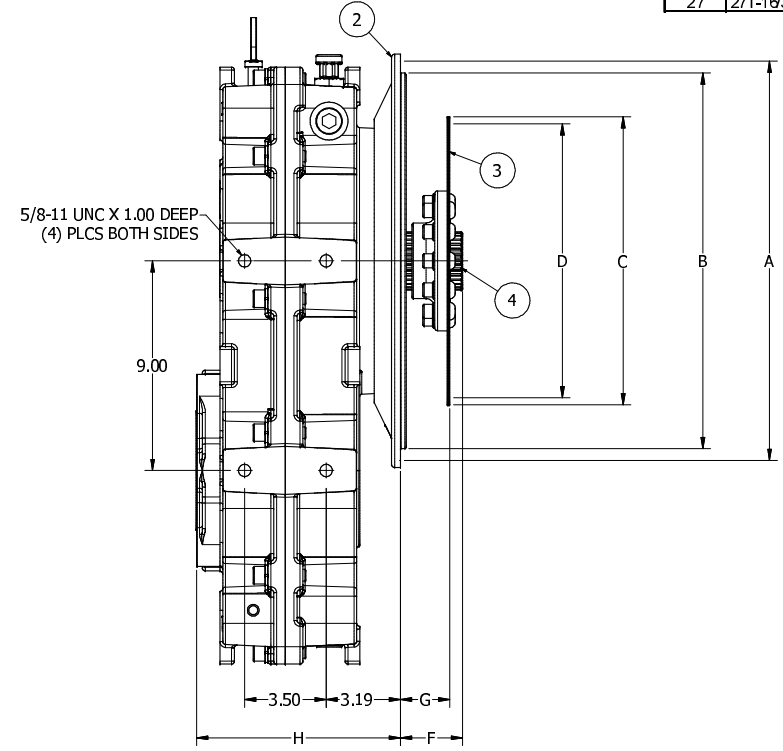
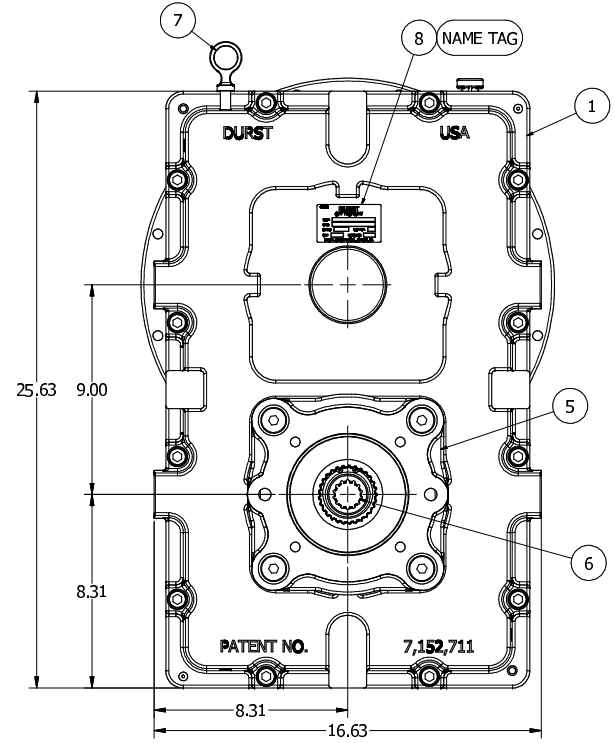
SAE Engine Adapter Options				2
SAE No.	Dim. A	Dim. B	Dim. C	Dim. D
1	20.875	20.125	7/16-14 (12)	
2	18.375	17.625	3/8-16 (12)	
3	16.875	16.125	3/8-16 (12)	
4	15.000	14.250	3/8-16 (12)	

SAE Drive Plate Options				3
SAE No.	Dim. C	Dim. D	Dim. G	Dim. H
14	18.375	17.250	1.000	1/2-13 (8)
11.5	13.875	13.125	1.563	3/8-16 (8)
10	12.375	11.625	2.125	3/8-16 (8)
8	10.375	9.625	2.438	3/8-16 (6)

Input Shaft Options		4
Shaft Description	Dim. F	
29T-12/24	2.68	
20T-10/20	2.68	
15T-8/16	2.68	
2-1/2 Dia. Keyed	2.13	
2-1/4 Dia. Keyed	2.13	

SAE Pump Pad Adapters					5
SAE Size	Bolt Size & Qty.	Bolt Circle	Pilot Dia.	Dim. H	
A	3/8-16 (2)	4.187	3.25	8.75	
B	1/2-13 (2)	5.750	4.00	8.75	
B	1/2-13 (4)	5.000	4.00	8.75	
C	5/8-11 (2)	7.125	5.00	8.75	
C	1/2-13 (4)	6.375	5.00	8.75	
D	3/4-10 (4)	9.000	6.00	8.75	
D2	3/4-10 (2)	9.000	6.00	8.88	
E	3/4-10 (4)	12.500	6.50	8.88	
F	1.00-8 (4)	13.761	7.00	9.25	

SAE Pump Spine Adapters			6
SAE Size	Teeth & Pitch		
A	9T-16/32		
B	13T-16/32		
BB	15T-16/32		
C	14T-12/24		
CC	17T-12/24		
D	13T-8/16		
F	15T-8/16		
21	21T-16/32		
23	23T-16/32		
27	27T-16/32		



- NOTES:
- REFER TO ASSEMBLY BOOK FOR ADAPTER MOD DRAWINGS.
  - LUBRICATE ALL O-RINGS PRIOR TO INSTALLATION.
  - APPLY SILVER STREAK #2005 TO EXTERNAL SPLINES OF INPUT SHAFT, WHEN MATING TO DRIVE PLATE.
  - USE LOCTITE 680 WHEN INSTALLING EXPANSION PLUG, P/N 012043.
  - USE LOCTITE 680 WHEN INSTALLING DIPSTICK, AND DIPSTICK HOLE PLUG, P/N 012326.
  - DO NOT USE LOCTITE ON FLAT HEAD PUMP PAD SCREWS.
  - TIGHTEN 1/2" SCREWS: 105 FT-LBS.
  - TIGHTEN 5/8" SCREWS: 210 FT-LBS.
  - OIL MUST MEET API GL-5 SPEC: 80W90, EP90 OR EQUIVALENT.
  - WHEN ORDERING PARTS REFER TO THE DURST SERVICE MANUAL.

**PATENT NO. 7,152,711**

**CAUTION**

Always insure that your powertrain is free of torsional vibrations. DURST is not responsible for damage or failure due to unaddressed torsional vibrations.

1 30731		RELEASED TO PRODUCTION	MEM	5/11/11	DRAWN BY	DATE	SCALE	3/8:1	THIRD ANGLE PROJECT	PART NO.	1PD09D	SIZE	D
<p>ALL DIMENSIONS IN INCHES UNLESS OTHERWISE SPECIFIED. ALLOW 0.005 TOLERANCE ON MACHINED SURFACES. FILED AND DIMENSIONS TO CENTER UNLESS OTHERWISE SPECIFIED. X = 0.000 FRAC = 1/64</p> <p>XX = 0.010 ANGLE = 37 3/4</p> <p>XXX = 0.005 1/4 FINISH</p> <p>MODEL WHERE USED N/A</p> <p>MATERIAL</p> <p>THIS PRINT IS CONFIDENTIAL AND IS THE PROPERTY OF DURST, DIV. OF REGAL BELLOTT CORP. THIS PRINT SHALL NOT BE USED, COPIED, OR REPRODUCED IN WHOLE OR IN PART. NOR SHALL THE CONTENTS BE REVEALED IN ANY MANNER TO ANYONE UNLESS WRITTEN PERMISSION IS OBTAINED FROM DURST, DIV. REGAL BELLOTT CORP.</p> <p><b>DURST</b> DIVISION OF REGAL BELLOTT CORP. P.O. BOX 238 BELLOTT, WISCONSIN 53511</p>													