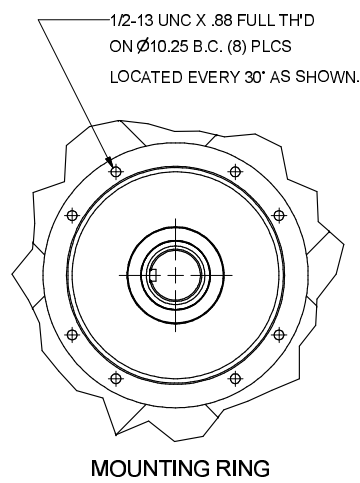
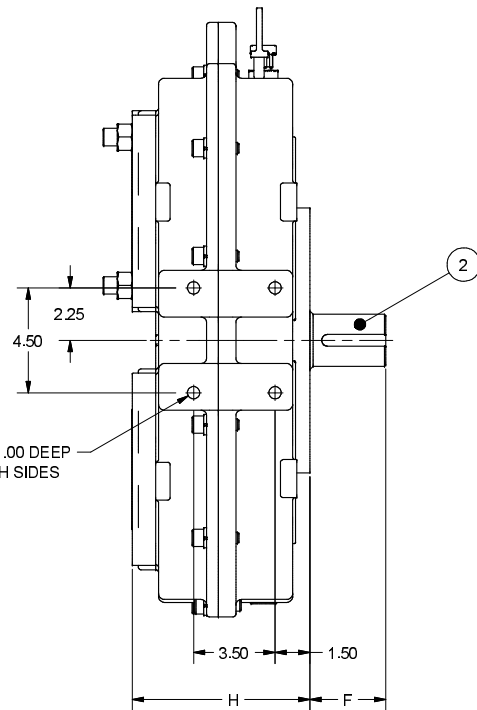
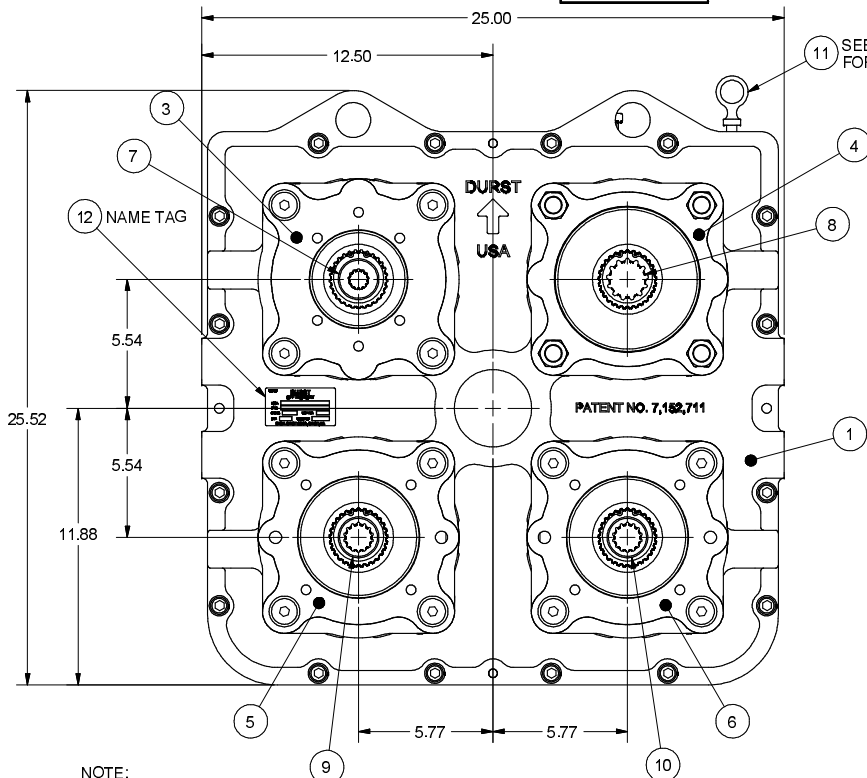


Ratio Options	1
4PD08	
1.40 Dec.	
1.34 Dec.	
1.23 Dec.	
1.13 Dec.	
1:1	
1.13 Inc.	
1.23 Inc.	
1.34 Inc.	
1.40 Inc.	
1.53 Inc.	

Input Shaft Options		2
Shaft Description	Dim. F	
1810 Comparison	2.62	
1610 Comparison	2.62	
2-1/2 Dia. Keyed	3.25	
2-1/4 Dia. Keyed	3.25	
29T-12/24	3.80	
20T-10/20	3.80	
15T-8/16	3.80	
1550 Comparison	2.62	

SAE Pump Pad Adapters					3	4	5	6
SAE Size	Bolt Size & Qty.	Bolt Circle	Pilot Dia.	Dim. H				
A	3/8-16 (2)	4.187	3.25	7.63				
B	1/2-13 (2)	5.750	4.00	7.63				
B	1/2-13 (4)	5.000	4.00	7.63				
C	5/8-11 (2)	7.125	5.00	7.63				
C	1/2-13 (4)	6.375	5.00	7.63				
D	3/4-10 (4)	9.000	6.00	7.63				
D2	3/4-10 (2)	9.000	6.00	7.75				
E	3/4-10 (4)	12.500	6.50	7.75				
F	1.00-8 (4)	13.781	7.00	8.13				

SAE Pump Spline Adapters		7	8	9	10
SAE Size	Teeth & Pitch				
A	9T-16/32				
B	13T-16/32				
BB	15T-16/32				
C	14T-12/24				
CC	17T-12/24				
D	13T-8/16				
F	15T-8/16				
21	21T-16/32				
23	23T-16/32				
27	27T-16/32				



5/8-11 UNC X 1.00 DEEP
(4) PLCS. BOTH SIDES

- NOTE:
- 1) REFER TO ASSEMBLY BOOK FOR ADAPTER MOD DRAWINGS.
 - 2) LUBRICATE ALL ORINGS PRIOR TO INSTALLATION.
 - 3) APPLY SILVER STREAK #200S TO EXTERNAL SPLINES OF INPUT SHAFT.
 - 4) USE LOCTITE 609 WHEN INSTALLING EXP. PLUG, P/N 012043.
 - 5) USE LOCTITE 609 WHEN INSTALLING DIPSTICK, AND DIPSTICK HOLE PLUG, P/N 012326.
 - 6) DO NOT USE LOCTITE ON PUMP PAD SCREWS.
 - 7) TIGHTEN 1/2" SCREWS: 105 FT.LBS.
 - 8) TIGHTEN 5/8" SCREWS: 210 FT.LBS.
 - 9) OIL MUST MEET API GL-5 SPEC: 80W90, EP90 OR EQUIVALENT.
 - 10) WHEN ORDERING PARTS REFER TO THE DURST SERVICE MANUAL.

PATENT NO. 7,152,711

CAUTION

Always insure that your powertrain is free of torsional vibrations. DURST is not responsible for damage or failure due to unaddressed torsional vibrations.

REV	W.O. NO.	ZONE	DESCRIPTION	BY	DATE	DRAWN BY	DATE
5	27445		ADDED 1:13 RATIOS	KTS	12/7/07		
4	27445		REVISE NOTE 9, ADD PATENT NO.	WEM	05/07		
3	25834		UPDATED SPLINE CHART	NJS	11/05/04		
2	25742		UPDATED NOTES	NJS	10/12/04		
1	24590		RELEASED TO PRODUCTION	NJS	8/27/04		

ALL DIMENSIONS IN INCHES UNLESS OTHERWISE SPECIFIED. ALLOW .12 FINISH STOCK ON MACHINED SURFACES. RILETS AND RADII: 12 MAX. MACHINING TOLERANCES:		THIS PRINT IS CONFIDENTIAL AND IS THE PROPERTY OF DURST. DM, REGAL BELOFT CORP. THIS PRINT SHALL NOT BE USED, COPIED, OR REPRODUCED IN WHOLE OR IN PART, NOR SHALL THE CONTENTS BE REVEALED IN ANY MANNER TO ANYONE UNLESS WRITTEN PERMISSION IS OBTAINED FROM DURST. DM, REGAL BELOFT CORP.		 DIVISION OF REGAL BELOFT CORP. P.O. BOX 290 BELOFT, WISCONSIN 53511	
MATERIAL	MODEL	WHERE USED	TITLE		
	N/A		4PD08 INDEPENDENT CHARTED DRAWING		
SCALE	THIRD ANGLE PROJECT	PART NO.	SEE 0		
3 : 8		4PD08I			