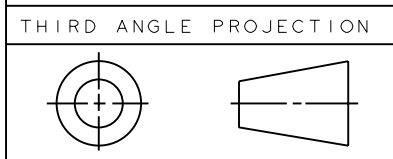
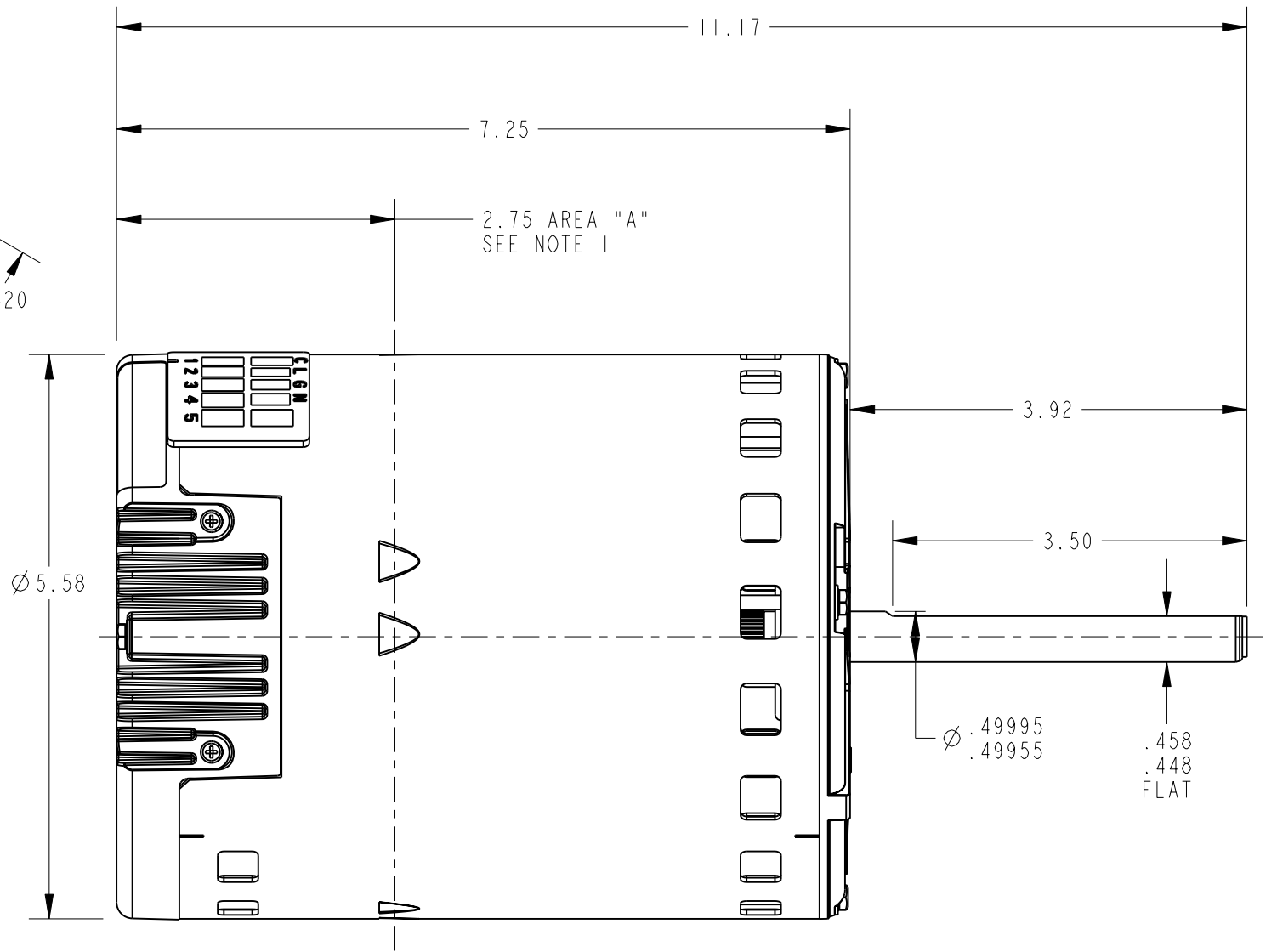
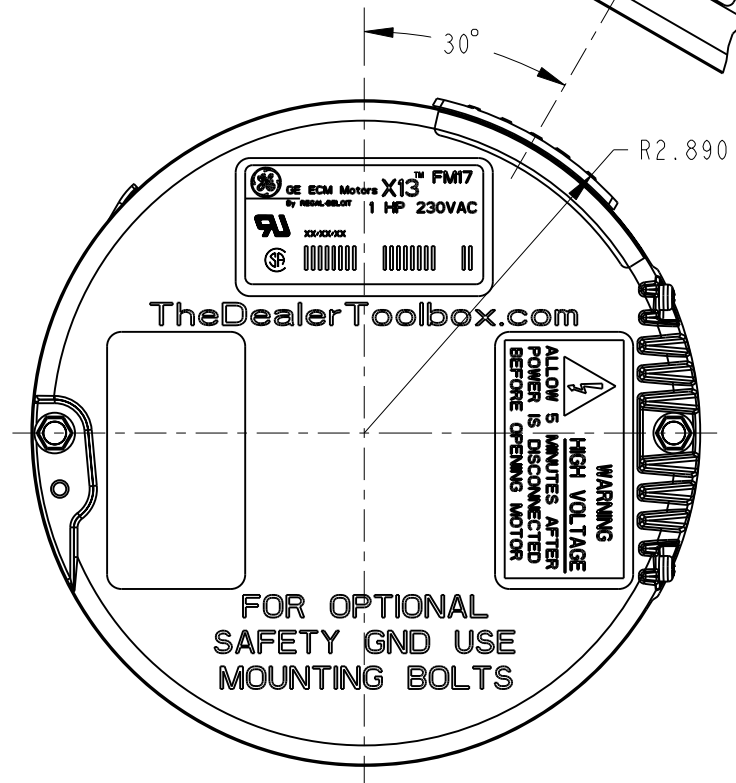
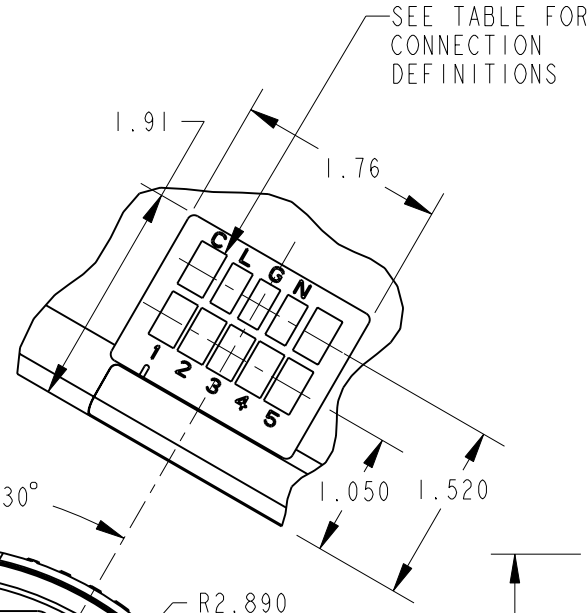


| CONNECTOR ID | DESCRIPTION   | OPERATING MODE              | OPERATING MODE W/ OPTIONAL OUTPUT | PROGRAMMING MODE |
|--------------|---------------|-----------------------------|-----------------------------------|------------------|
| C            | SIGNAL COMMON | SIGNAL COMMON               | SIGNAL COMMON                     | SIGNAL COMMON    |
| L            | LINE1         | LINE1                       | LINE1                             | LINE1            |
| G            | GROUND        | GROUND                      | GROUND                            | GROUND           |
| N            | LINE2         | LINE2                       | LINE2                             | LINE2            |
| 1            | TAP 1         | TORQUE PT 1 (IF APPLICABLE) | TORQUE PT 1 (IF APPLICABLE)       | DATA IN          |
| 2            | TAP 2         | TORQUE PT 2 (IF APPLICABLE) | TORQUE PT 2 (IF APPLICABLE)       |                  |
| 3            | TAP 3         | TORQUE PT 3 (IF APPLICABLE) | TORQUE PT 3 (IF APPLICABLE)       |                  |
| 4            | TAP 4         | TORQUE PT 4 (IF APPLICABLE) | OUTPUT SIGNAL                     | DATA OUT         |
| 5            | TAP 5         | TORQUE PT 5 (IF APPLICABLE) | +12VDC                            | +12VDC           |

RBC PROPRIETARY AND CONFIDENTIAL INFORMATION  
 This document is the property of REGAL BELOIT CORPORATION ("RBC") including its subsidiaries and divisions and contains proprietary information of RBC. This document is loaned on the express condition that neither it nor the information contained therein shall be disclosed to others without the express written consent of RBC, and that the information shall be used by the recipient only as approved expressly by RBC. This document shall be returned to RBC upon its request. This document may be subject to certain restrictions under U.S. export control laws and regulations.

| REVISIONS |             |      |          |
|-----------|-------------|------|----------|
| REV.      | DESCRIPTION | DATE | APPROVED |
|           |             |      |          |
|           |             |      |          |



NOTES:  
 1. BELLY BAND MUST NOT BE PLACED WITHIN AREA "A".  
 2. APPROXIMATE WEIGHT IS 19.0 LBM.

| FOR ADDITIONAL INFO REFER TO: | SIGNATURES                 | DATE     |
|-------------------------------|----------------------------|----------|
| APPLIED PRACTICES             | MODEL D.E. BAIR            | 02/15/05 |
| DIMENSIONS ARE IN INCHES      | DETAIL D.E. BAIR           | 02/16/05 |
| TOLERANCE ON:                 | CHECKED D.E. BAIR          | 02/17/05 |
| 1 PL DECIMALS ± 0.0           | ENGRG S. BRAHMAVAR         | 02/17/05 |
| 2 PL DECIMALS ± 0.02          | MFG                        |          |
| 3 PL DECIMALS ± 0.005         | QUALITY                    |          |
| ANGLES ± 1.0                  | ISSUED D.E. BAIR           | 02/17/05 |
| FRACTIONS ±                   |                            |          |
| FINISH                        |                            |          |
| MATERIAL                      | SOLID MODEL: 5SME39SXL013A |          |

**REGAL BELOIT CORPORATION**

**OUTLINE**  
**X13 PLATFORM**  
**1 HP 208-230 VOLT**  
**5SME39SXL013A** REV 0

SCALE: 0.620 REF. No: SHEET 1 of 1