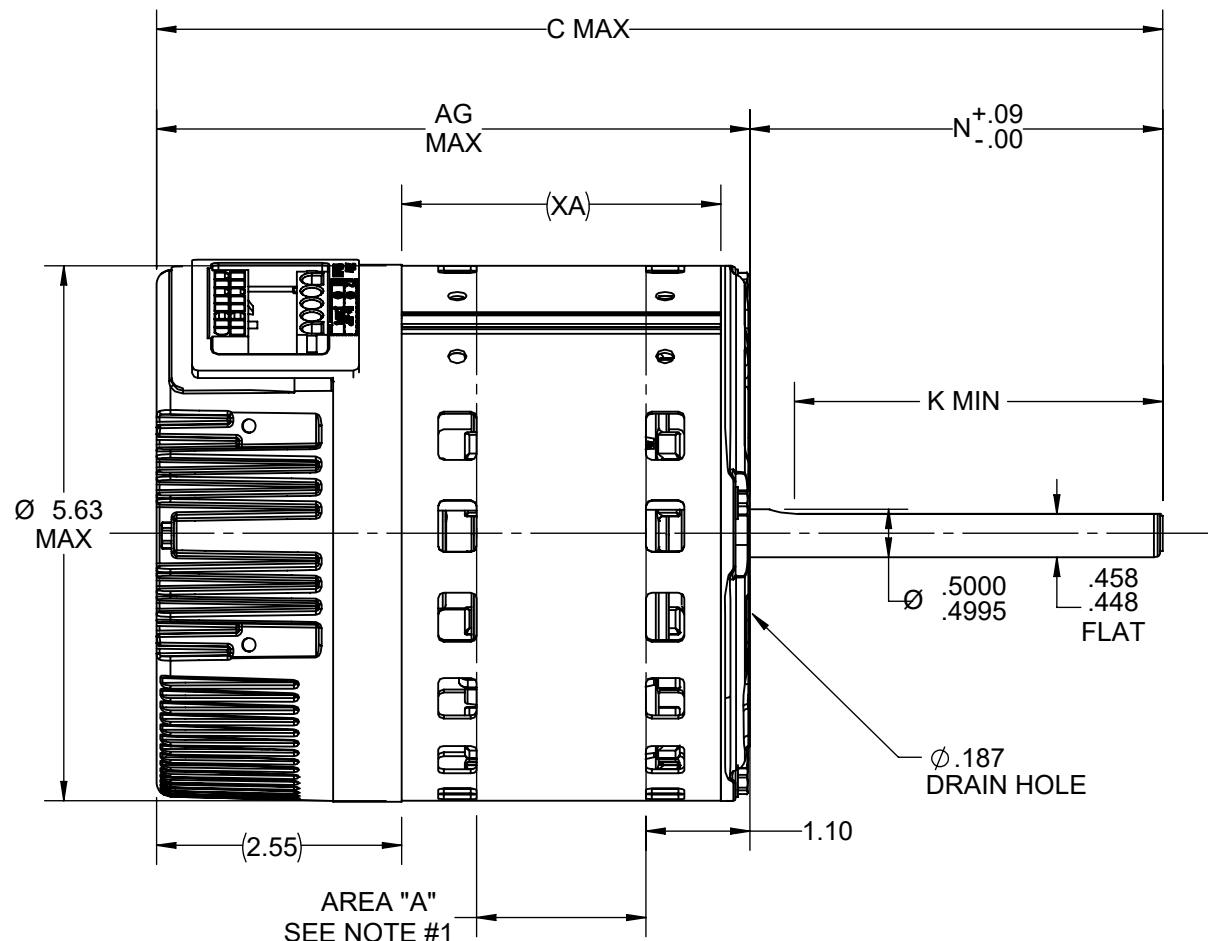
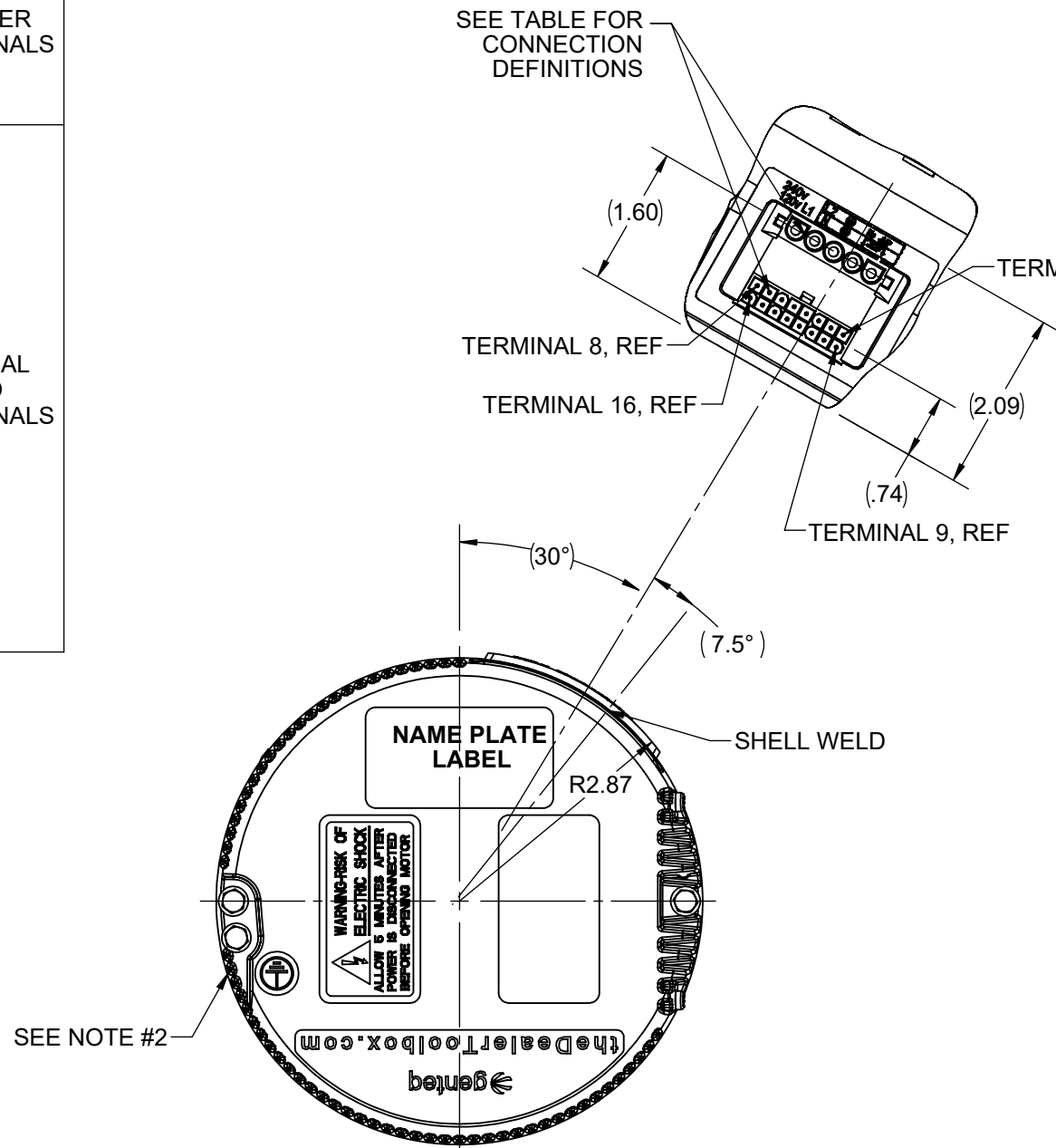


L1	AC LINE	POWER TERMINALS
N	AC LINE	
	GROUND	
JMP	120 VAC: USE LINE INPUT JUMPER 240 VAC OR 277 VAC: NO JUMPER SEE NOTE #4	
1	C1	SIGNAL TO TERMINALS
2	W/W1	
3	C2	
4	DELAY	
5	COOL	
6	Y1	
7	ADJUST	
8	OUT-	
9	O	
10	BK/PWM	
11	HEAT	
12	R	
13	EM/W2	
14	Y1/Y2	
15	G	
16	OUT+	

NAMEPLATE DATA	
MODEL	5SAC39DLP5009
CUSTOMER NAME	ALL
CPN #	N/R
H.P.	1/3
RPM	200-1400
VOLTS	120/240/277
HZ	60/50
AMPS	N/R
ROTATION	CCW/CW

VENTILATION SYSTEM	
SHELL VENTS	OPEN
ENDSHIELD (LE)	NA
ENDSHIELD (OLE)	CLOSED



- NOTES:
- BELLY BAND MUST BE PLACED WITHIN AREA "A" ONLY FOR 1/3 HP = AREA A IS STACK + .25 ALL OTHERS = AREA A IS STACK + .12
 - OPTIONAL EXTERNAL #8 SELF TAPPING GROUND SCREW AND TERMINAL MAY BE PROVIDED BY CUSTOMER AT LOCATION SHOWN.
 - DIMENSIONS IN PARENTHESES ARE FOR REFERENCE ONLY.
 - WARNING: APPLYING 240VAC OR 277VAC LINE INPUT WITH JUMPER APPLIED WILL PERMANENTLY DAMAGE UNIT.

DRAWING REVISION	REVISION BY	REV DATE/© DATE
F	TRSK	2/12/2021
ECO	APPROVED BY	DATE
ECR-0207410	VB	2/12/2021
ECO DESCRIPTION		
REMOVED NP AMPS PER ECR		
COPYRIGHT (PER REVISION DATE) REGAL BELOIT AMERICA, INC. ALL RIGHTS RESERVED. PROPRIETARY AND CONFIDENTIAL INFORMATION - THIS DOCUMENT IS THE PROPERTY OF REGAL BELOIT AMERICA, INC. ("OWNER") AND CONTAINS OWNER'S PROPRIETARY INFORMATION. ANY PERSON, CORPORATION OR OTHER FIRM RECEIVING IT IS DEEMED, BY RECEIVING IT, TO AGREE THAT IT, AND/OR ANY PART OF IT, SHALL NOT BE DISCLOSED TO ANY PERSON, CORPORATION OR OTHER ENTITY, DUPLICATED, AND/OR USED, EXCEPT AS EXPRESSLY APPROVED IN WRITING IN ADVANCE BY OWNER. THIS DOCUMENT SHALL BE RETURNED TO OWNER UPON REQUEST. IT MAY BE SUBJECT TO CERTAIN RESTRICTIONS UNDER APPLICABLE EXPORT CONTROL LAWS AND REGULATIONS.		

PRIMARY DIMENSIONS ARE INCH
mm DIMENSIONS IN [BRACKETS]
ARE FOR REFERENCE ONLY

DRAWN BY	NV
DATE	02/24/2020
APPROVED BY	VB
DATE	02/24/2020
REFERENCE	5SAB39DLP5009
THIRD ANGLE PROJECTION	

10.00	4.00	3.50	5.97	3.07	1.25
"C"	"N"	"K"	"AG"	"XA"	"A"
		Regal Beloit America, Inc.			
DESCRIPTION					
OUTLINE					
EON					
MATERIAL			PROCESS/FINISH		
SIZE	DRAWING NUMBER				SHEET
B	5SAC39DLP5009				1 OF 1