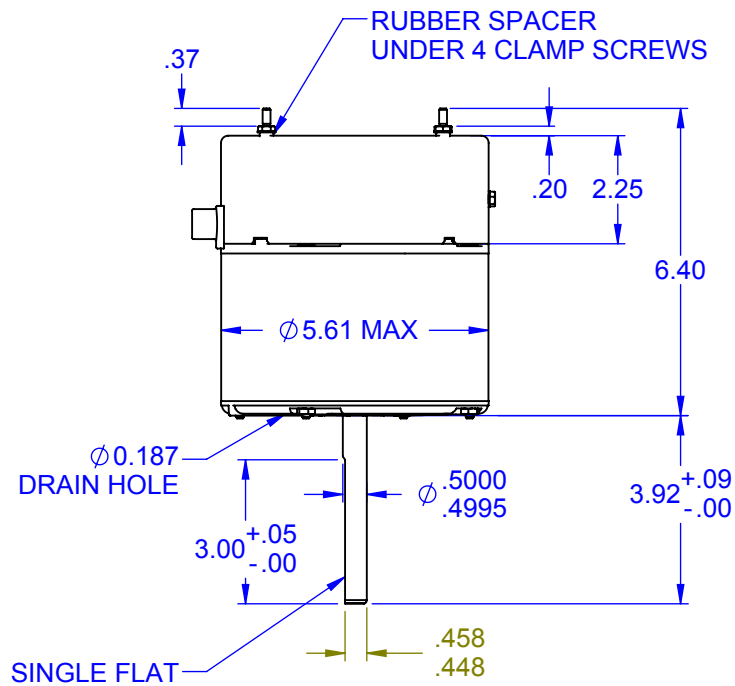
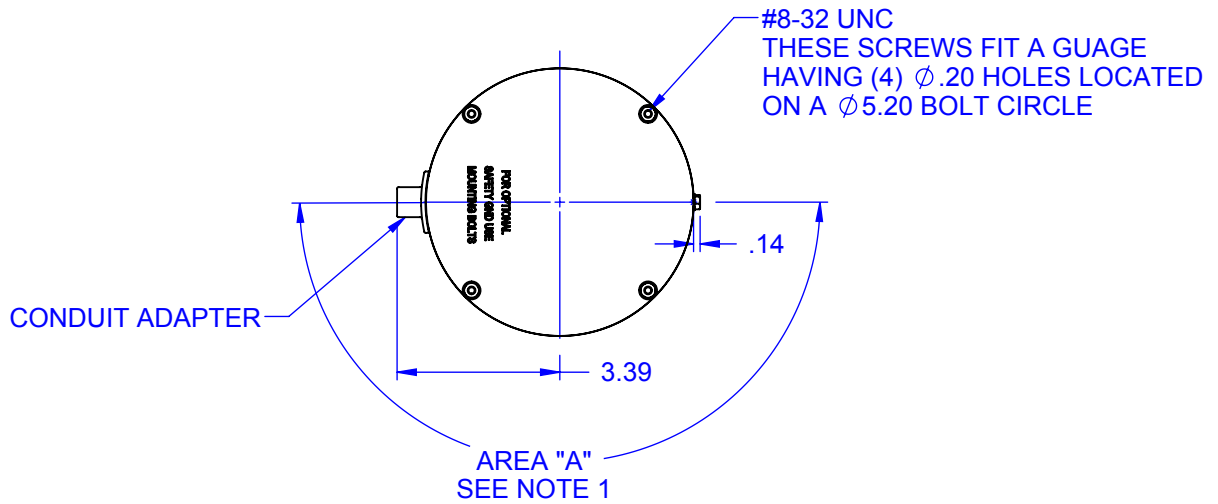



|    |          |           |     |
|----|----------|-----------|-----|
|    |          |           |     |
|    |          |           |     |
|    |          |           |     |
|    |          |           |     |
|    |          |           |     |
|    |          |           |     |
|    |          |           |     |
|    |          |           |     |
|    |          |           |     |
| NO | REVISION | BY & DATE | CHK |



NOTES:  
 1. LABELS OR OTHER ITEMS SHALL NOT BE APPLIED IN AREA "A"

|  |        |   |   |
|--|--------|---|---|
| TOLERANCES UNLESS SPECIFIED            |        |  <b>REGAL-BELOIT CORPORATION</b> | DRAWN <b>D.E. BAIR</b>                            |
| DEC                                    | INCHES |   | CHK   |
| .X                                     | -      |   | APPR  |
| THIRD ANGLE PROJECTION                 |        | TITLE <b>OUTLINE</b><br><b>ECM 142 1/5 HP</b>   | SCALE <b>1:4</b>                                  |
| .XX                                    | -      |   | REF   |
| .XXX                                   | -      |   | FMF   |
| .XXXX                                  | -      | MAT'L   | PAGE <b>1</b> OF <b>1</b>                         |
| ANG                                    | -      | FINISH  |   |
| RFP                                    |        | PREV  | SIZE <b>A</b> DRAWING NO <b>5SME39DLHE001</b> REV |
| NETWORK FILE NAME <b>5SME39DLHE001</b> |        |   |   |

