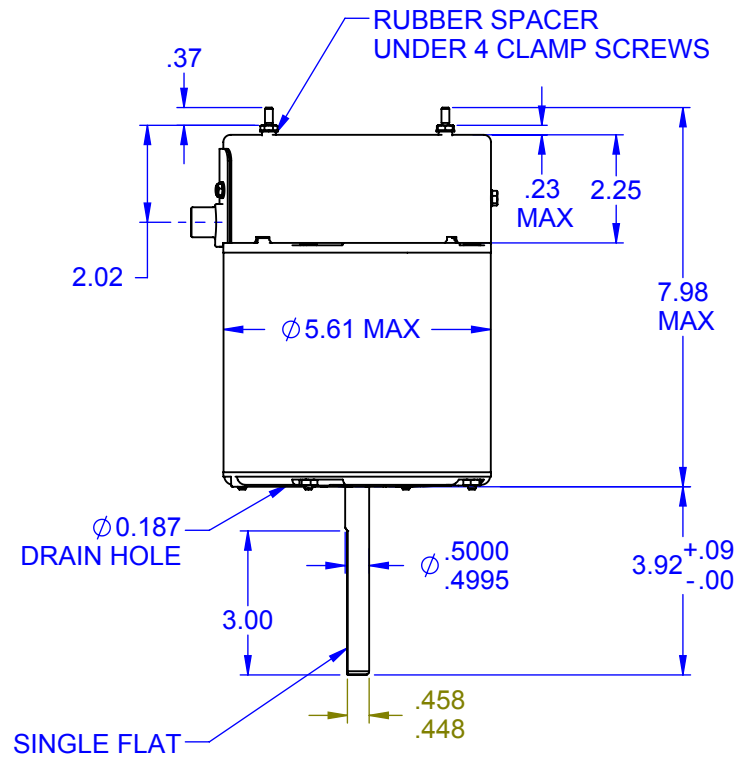
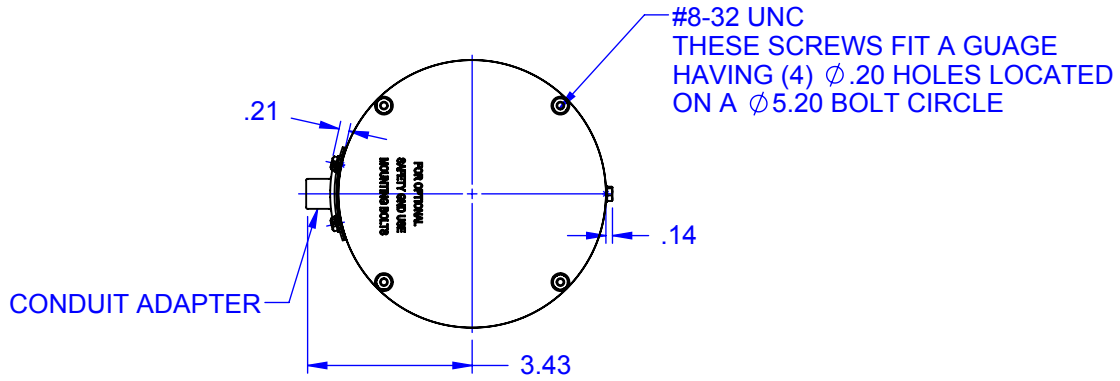

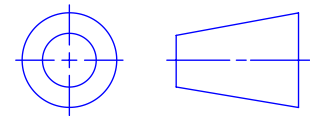


NO	REVISION	BY & DATE	CHK



TOLERANCES UNLESS SPECIFIED	DEC	INCHES	 REGAL-BELOIT CORPORATION	DRAWN	D.E. BAIR	
	.X	-		CHK		
THIRD ANGLE PROJECTION	.XX	-	TITLE	OUTLINE	APPR	
	.XXX	-		ECM 142 3/4 HP 240V	SCALE	1:4
	.XXXX	-	MAT'L		REF	
	ANG	-	FINISH		FMF	
	RFP		PREV		PAGE	1 OF 1
	NETWORK FILE NAME	5SME39SLHE004		SIZE	DRAWING NO	REV
				A	5SME39SLHE004	