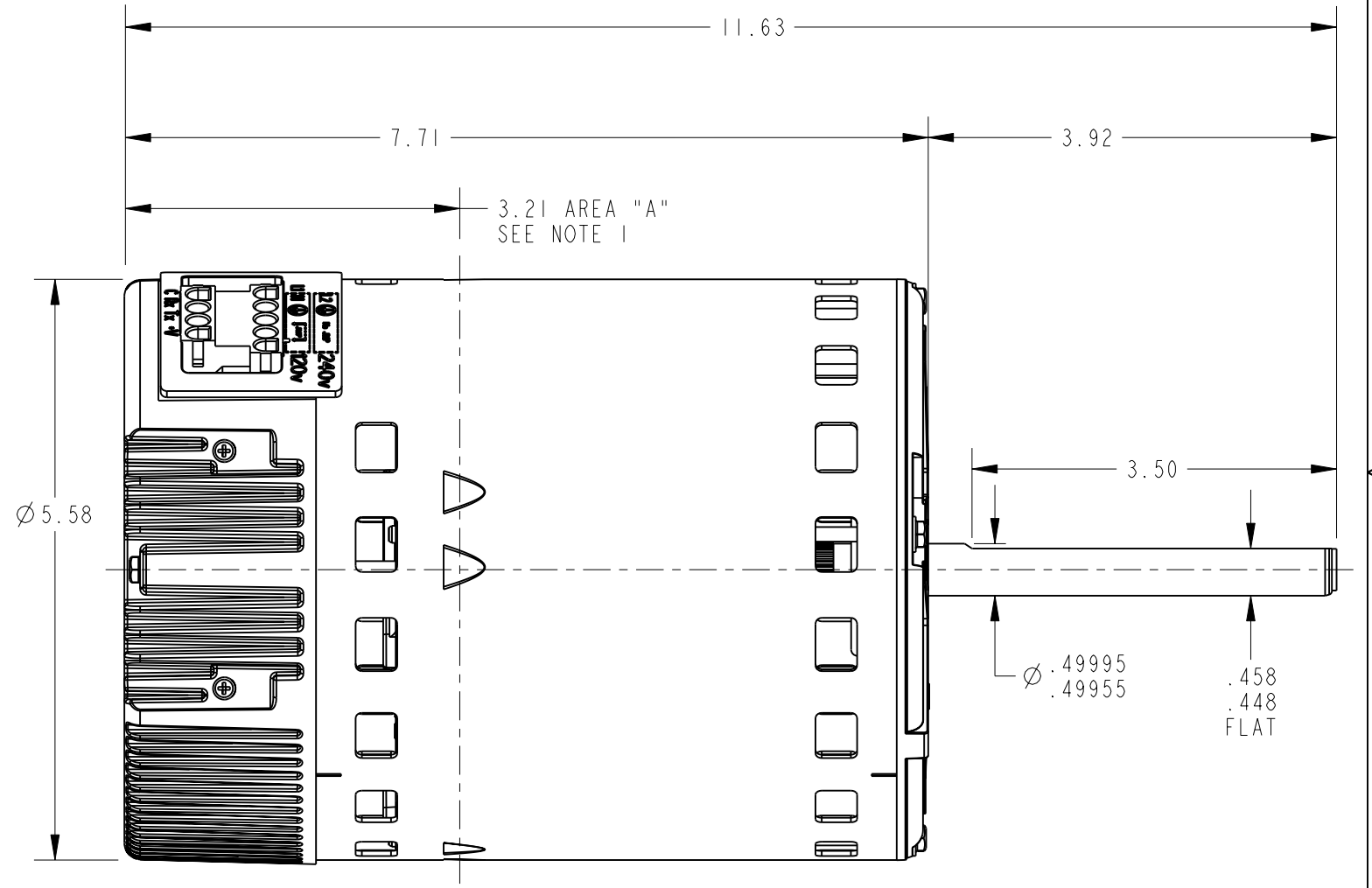
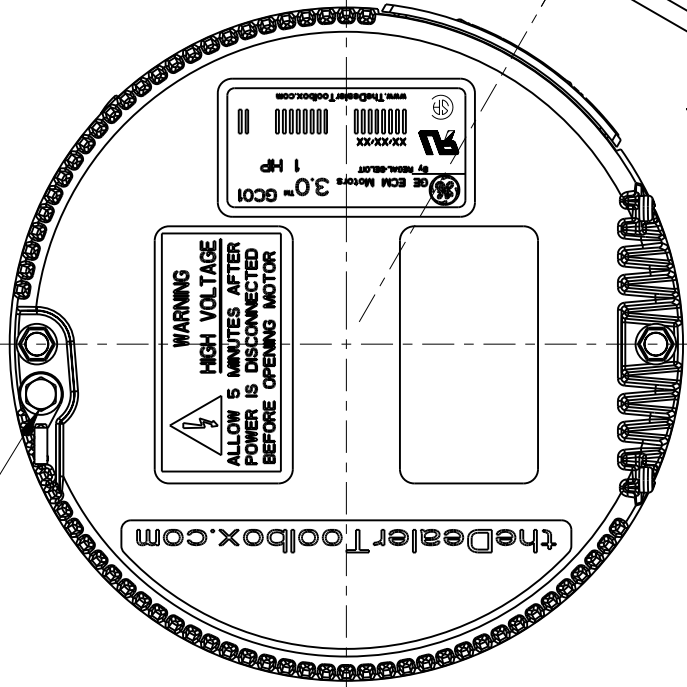
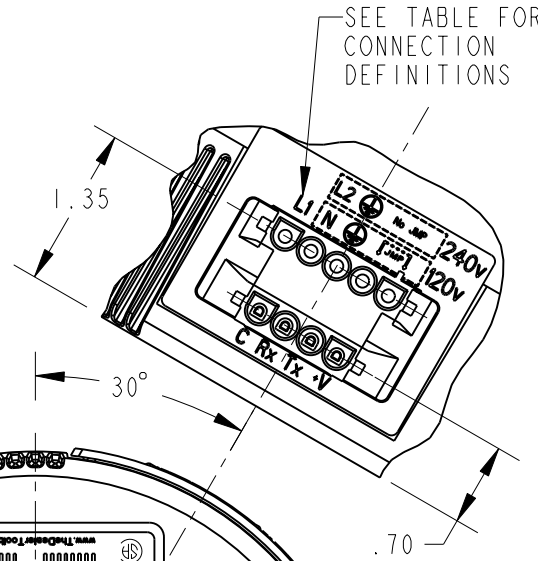


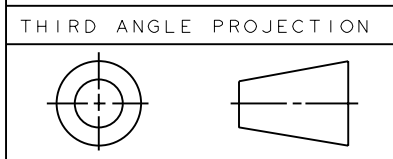
RBC PROPRIETARY AND CONFIDENTIAL INFORMATION
 This document is the property of REGAL BELOIT CORPORATION ("RBC") including its subsidiaries and divisions and contains proprietary information of RBC. This document is loaned on the express condition that neither it nor the information contained therein shall be disclosed to others without the express written consent of RBC, and that the information shall be used by the recipient only as approved expressly by RBC. This document shall be returned to RBC upon its request. This document may be subject to certain restrictions under U.S. export control laws and regulations.

REVISIONS			
REV.	DESCRIPTION	DATE	APPROVED
1	ECN 06-1054	05/04/06	D.E.B.
2	GENERAL CHANGES	05/16/06	D.E.B.
3	ECN 06-1201	05/26/06	D.E.B.
4	ECN 06-1500 & 1512	06/13/06	D.E.B.

CONNECTOR ID	DESCRIPTION
+V	12 V INPUT
Tx	SERIAL DATA OUTPUT
Rx	SERIAL DATA INPUT
C	COMMON
JMP	JUMPER APPLICATION FOR 120VAC LINE INPUT ONLY SEE NOTE 4
	GROUND
N	AC LINE
L1	AC LINE



- NOTES:
- BELLY BAND MUST NOT BE PLACED WITHIN AREA "A".
 - OPTIONAL EXTERNAL #8 SELF TAPPING GROUND SCREW AND TERMINAL MAY BE PROVIDED BY CUSTOMER AT LOCATION SHOWN.
 - SUGGESTED MATING CONNECTORS:
 5 PIN CONNECTOR - TYCO 350809-1
 4 PIN CONNECTOR - TYCO 350779-1
 SOCKET (TIN) - FOR .060-.130 WIRE INS. DIA RANGE - TYCO 350536-1
 FOR .130-.200 WIRE INS. DIA RANGE - TYCO 350537-1
 - WARNING: APPLYING 240VAC LINE INPUT WITH JUMPER APPLIED WILL PERMANENTLY DAMAGE UNIT.



FOR ADDITIONAL INFO REFER TO:	SIGNATURES	DATE
APPLIED PRACTICES	MODEL D.E. BAIR	03/27/06
DIMENSIONS ARE IN INCHES	DETAIL D.E. BAIR	03/27/06
TOLERANCE ON:	CHECKED D.E. BAIR	03/28/06
1 PL DECIMALS ± 0.0	ENGRG P. LIN	03/28/06
2 PL DECIMALS ± 0.02	MFG	
3 PL DECIMALS ± 0.005	QUALITY	
ANGLES ± 1.0	ISSUED D.E. BAIR	03/28/06
FRACTIONS ±	MATERIAL	SOLID MODEL: 5SME39SXL3003

REGAL-BELOIT CORPORATION

TITLE: **OUTLINE ECM 3.0 1 HP**

SIZE: B DRAWING: **5SME39SXL3003** REV: **4**

SCALE: 0.620 REF. No: SHEET 1 of 1