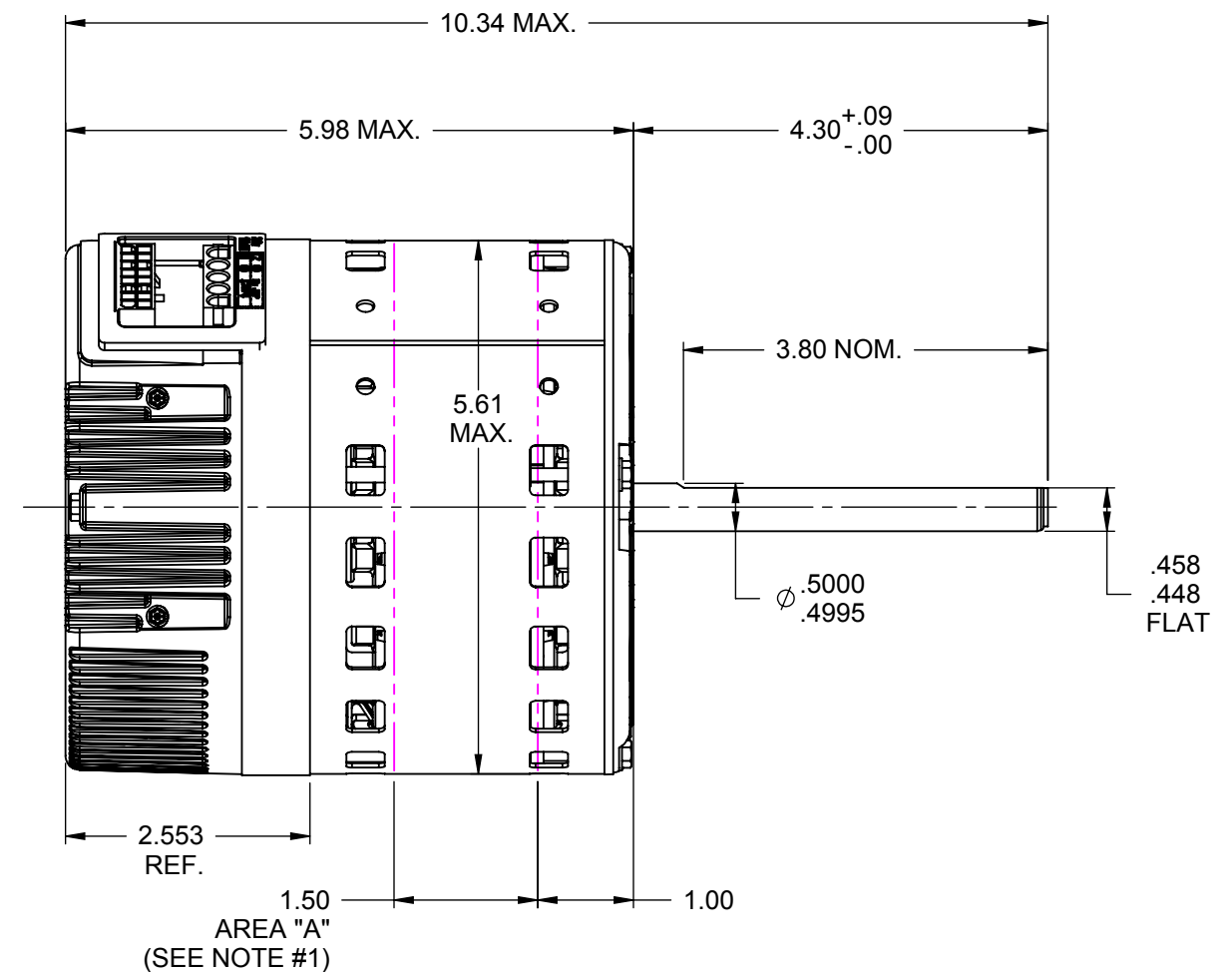
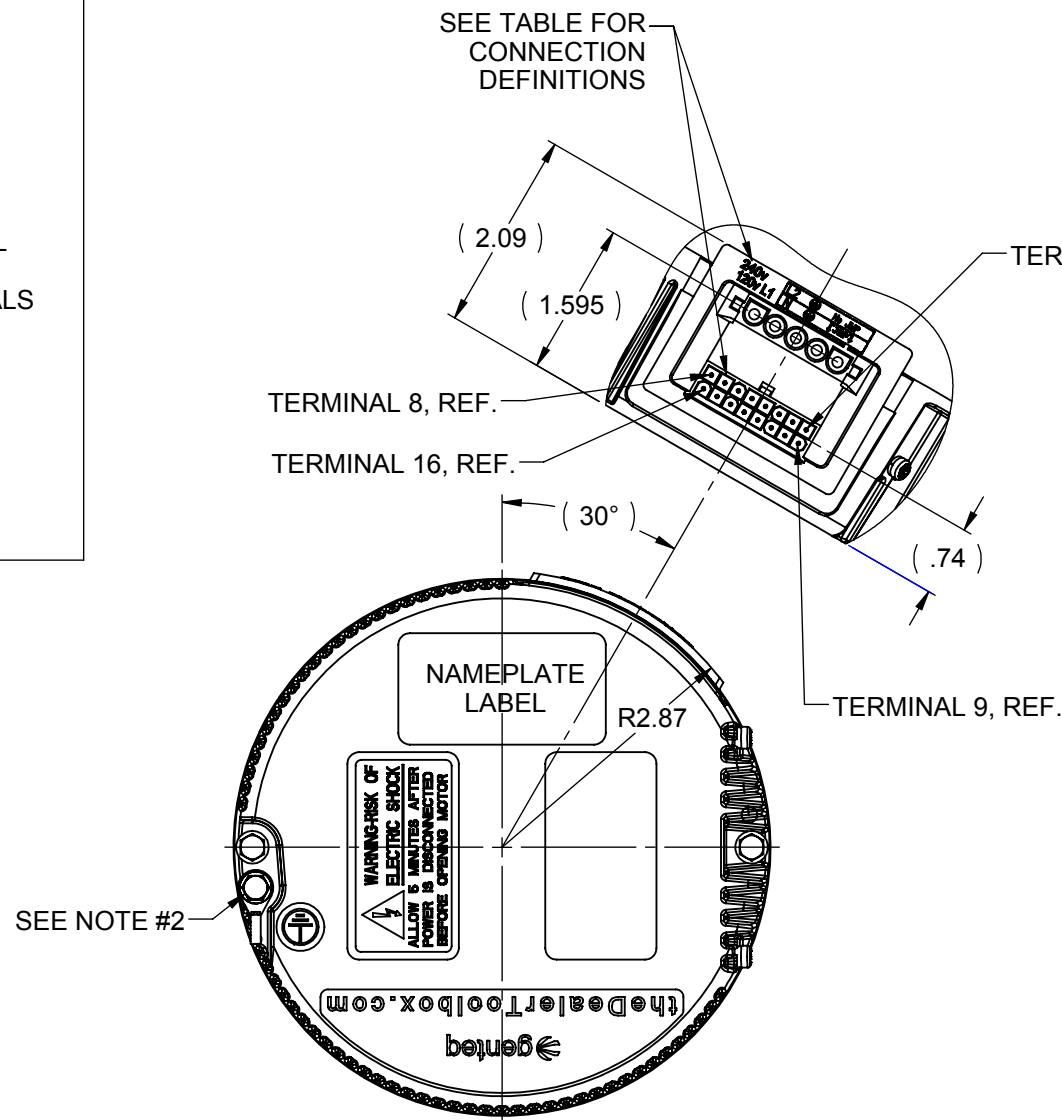


RBC PROPRIETARY AND CONFIDENTIAL INFORMATION  
 This document is the property of REGAL BELOIT CORPORATION ("RBC") including its subsidiaries and divisions and contains proprietary information of RBC. This document is loaned on the express condition that neither it nor the information contained therein shall be disclosed to others without the express written consent of RBC, and that the information shall be used by the recipient only as approved expressly by RBC. This document shall be returned to RBC upon its request. This document may be subject to certain restrictions under U.S. export control laws and regulations.

L1	AC LINE	POWER TERMINALS
N	AC LINE	
	GROUND	
JMP	120 VAC: USE LINE INPUT JUMPER 240 VAC: NO JUMPER SEE NOTE #4	SIGNAL TO TERMINALS
1	C1	
2	W/W1	
3	C2	
4	DELAY	
5	COOL	
6	Y1	
7	ADJUST	
8	OUT-	
9	O	
10	BK/PWM	
11	HEAT	
12	R	
13	EM/W2	
14	Y1/Y2	
15	G	
16	OUT+	

NAMEPLATE DATA	
MODEL	5SBA39GLV5001
CUSTOMER NAME	ALL
STOCK #	5662
H.P.	1/2
RPM	N/R
VOLTS	120/240
HZ	60/50
AMPS	N/R
ROTATION	CCW/CW

VENTILATION SYSTEM	
SHELL VENTS	OPEN
ENDSHIELD (LE)	NA
ENDSHIELD (OLE)	CLOSED



NOTES:

- BELLY BAND MUST BE PLACED WITHIN AREA "A" ONLY (STK. + .12).
- OPTIONAL EXTERNAL #8 SELF TAPPING GROUND SCREW AND TERMINAL MAY BE PROVIDED BY CUSTOMER AT LOCATION SHOWN.
- DIMENSIONS IN PARENTHESES ARE FOR REFERENCE ONLY.
- WARNING: APPLYING 240VAC LINE INPUT WITH JUMPER APPLIED WILL PERMANENTLY DAMAGE UNIT.

				TOLERANCES UNLESS SPECIFIED		DRAWN MAM 06/29/11	
				DEC	INCHES	REGAL BELOIT REGAL-BELOIT CORPORATION	
				X	±.1	CHK	
				.XX	±.03	APPR	
1	ADDED STOCK NO.	MAM 8/29/2011	.XXX	±.005	TITLE	OUTLINE	SCALE 1:2
0	INITIAL RELEASE	MAM 6/30/2011	.XXXX	±.0005	FINISH	EON FERRITE - 1/2 HP	REF
NO	REVISION	BY & DATE	CHK	ANG	±1/2°	MAT'L	FMF
				RFP	PREV	FINISH	PAGE 1 OF 1
THIRD ANGLE PROJECTION				NETWORK FILE NAME		5SBA39GLV5001	REV
				SIZE	DRAWING NO	B 5SBA39GLV5001	1