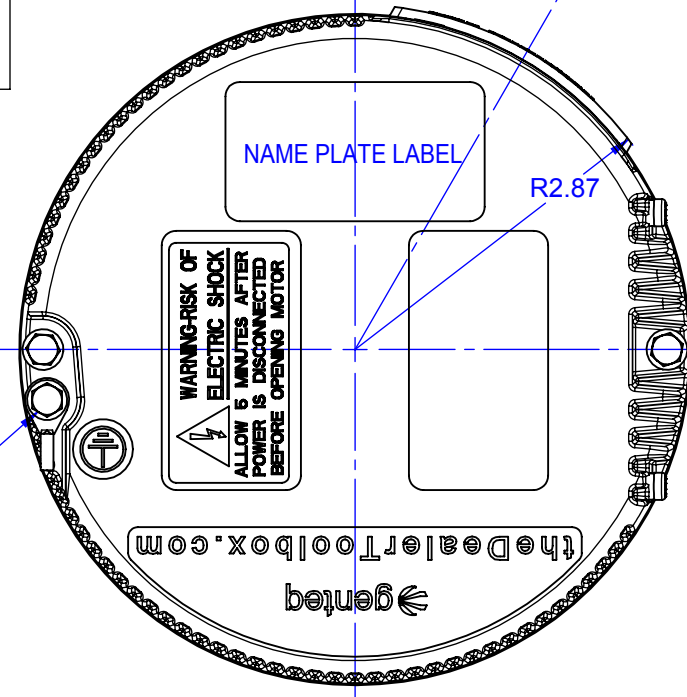
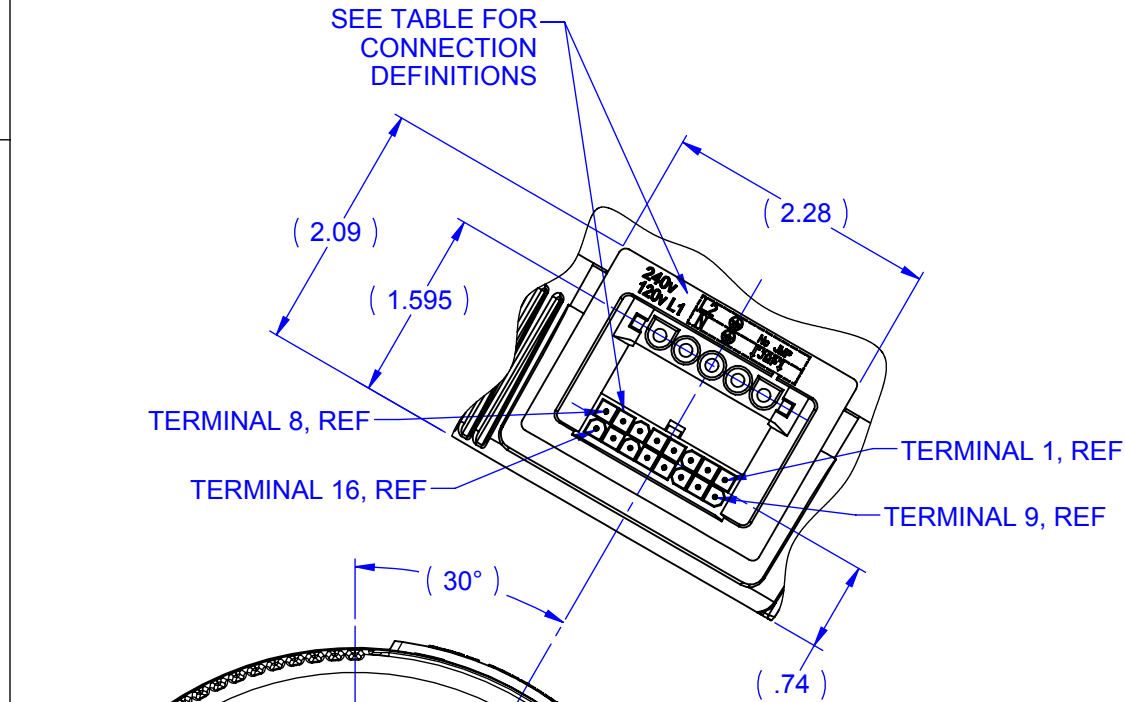
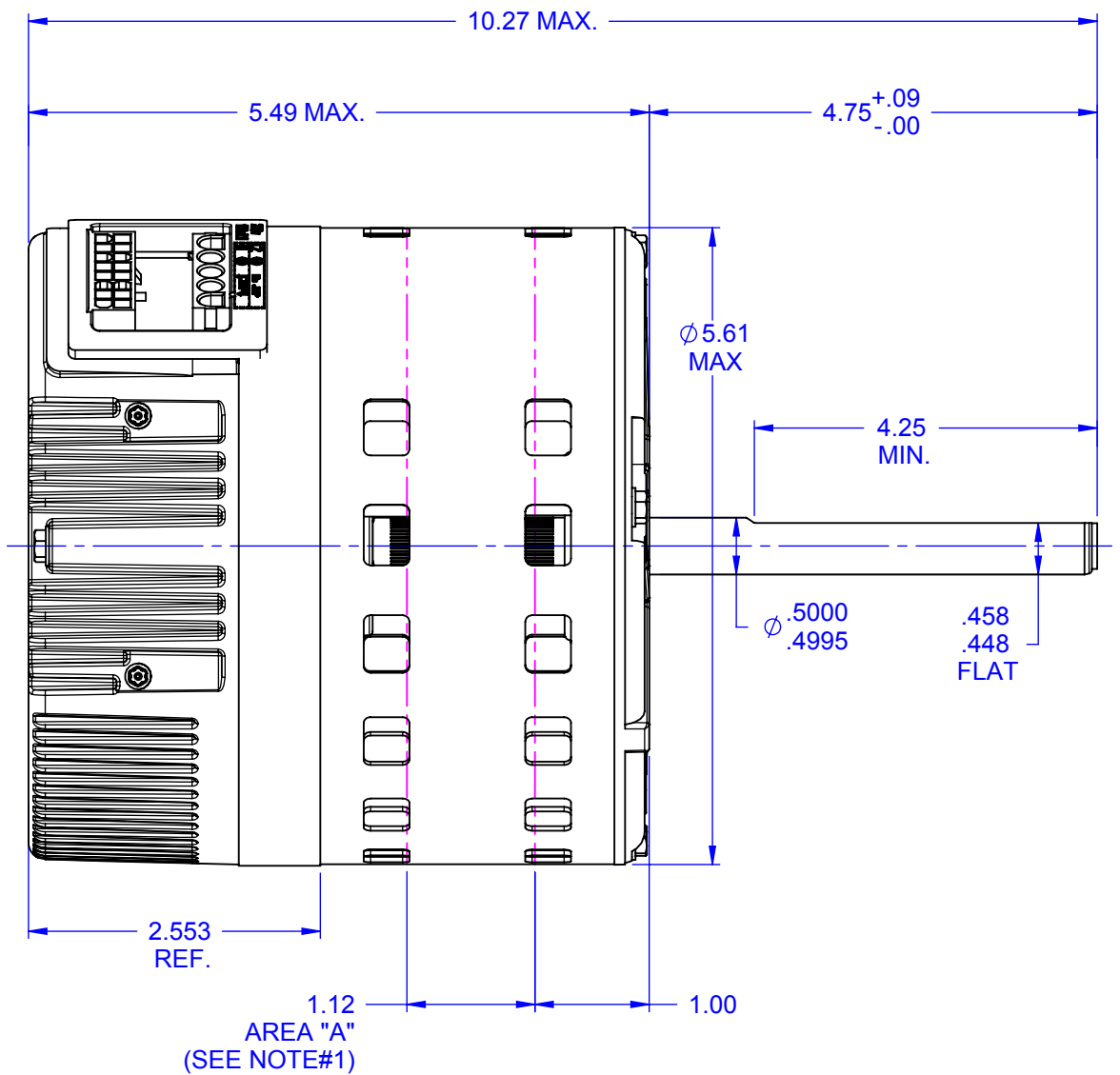


L1	AC LINE	POWER TERMINALS
N	AC LINE	
	GROUND	
JMP	120 VAC: USE LINE INPUT JUMPER 240 VAC: NO JUMPER SEE NOTE 4	
1	C1	SIGNAL I/O TERMINALS
2	W/W1	
3	C2	
4	DELAY	
5	COOL	
6	Y1	
7	ADJUST	
8	OUT-	
9	O	
10	BK/PWM	
11	HEAT	
12	R	
13	EM/W2	
14	Y1/Y2	
15	G	
16	OUT+	



NAMEPLATE DATA	
MODEL	5SBC39DLQ0005
CUSTOMER NAME	ALL
STOCK #	5563
H.P.	1/2
RPM	N/R
VOLTS	120/240/277
HZ	60/50
AMPS	N/R
ROTATION	CCW/CW



- NOTES:
- BELLY BAND MUST BE PLACED WITHIN AREA "A" ONLY (STK. + .12).
  - OPTIONAL EXTERNAL #8 SELF TAPPING GROUND SCREW AND TERMINAL MAY BE PROVIDED BY CUSTOMER AT LOCATION SHOWN.
  - DIMENSIONS IN PARENTHESES ARE FOR REFERENCE ONLY.
  - WARNING: APPLYING 240VAC LINE INPUT WITH JUMPER APPLIED WILL PERMANENTLY DAMAGE UNIT.

				TOLERANCES UNLESS SPECIFIED		DRAWN <b>DEB 03/10/10</b>		
				DEC	INCHES	CHK <b>DEB 03/16/10</b>		
2	UPDATED AS PER IS: 11-1930 & 11-1538	SBD 05/03/11	PSG	X	-	TITLE	OUTLINE	
1	UPDATED BELLY BAND LOC. NOTE#1	MAM 3/29/2011		.XXX	-	EON 1/2 HP STANDARD EFFICIENCY		
0	INITIAL RELEASE	DEB 03/16/10	JH	.XXXX	-	MAT'L	FMF	
NO	REVISION	BY & DATE	CHK	ANG	-	FINISH	PAGE 1 OF 1	
			RFP	PREV		SIZE	DRAWING NO	
			NETWORK FILE NAME		5SBC39DLQ0005	<b>B</b>	<b>5SBC39DLQ0005</b>	
							REV	<b>2</b>

