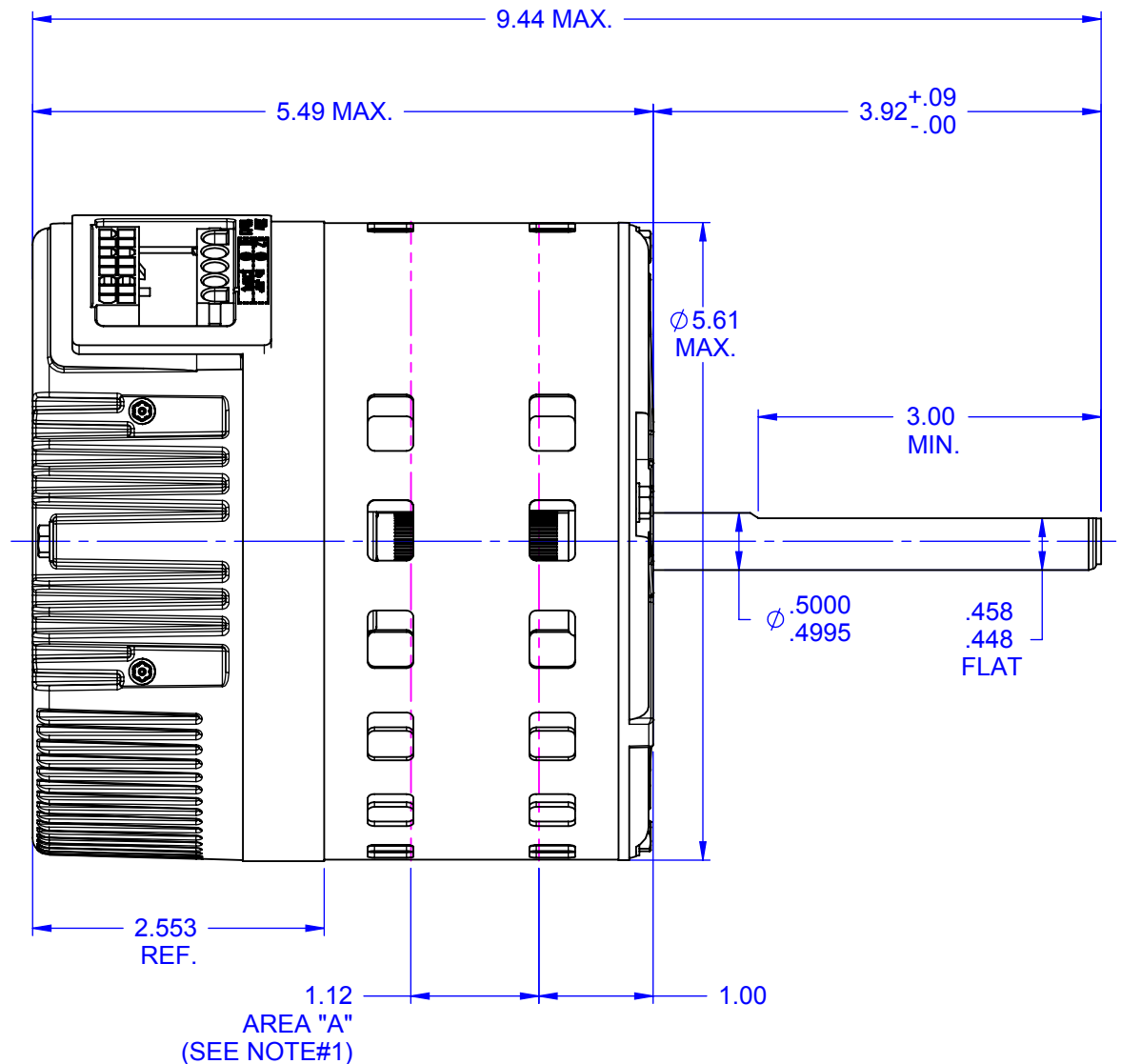
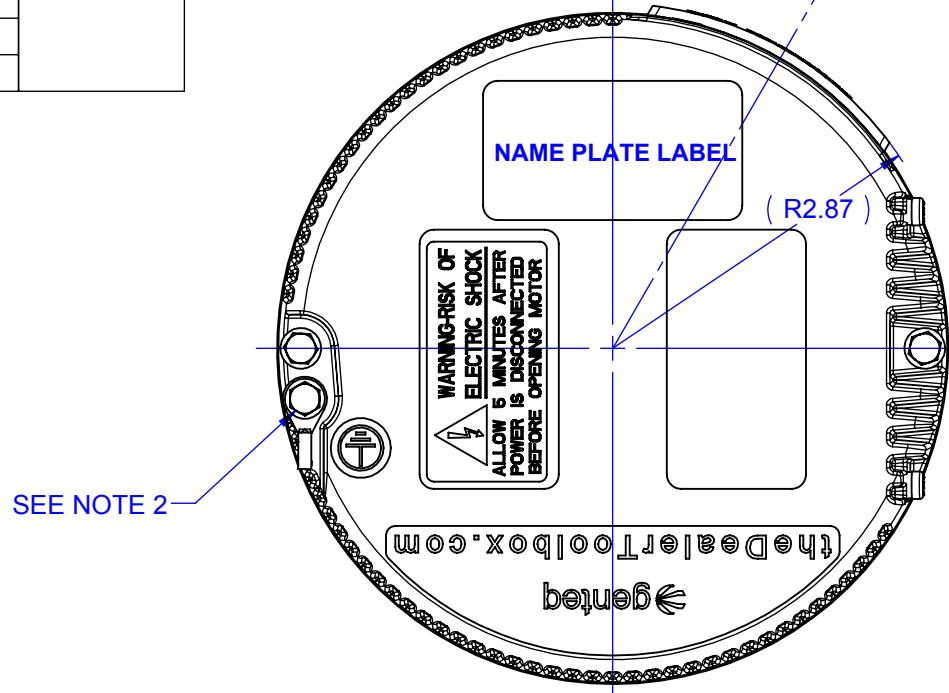
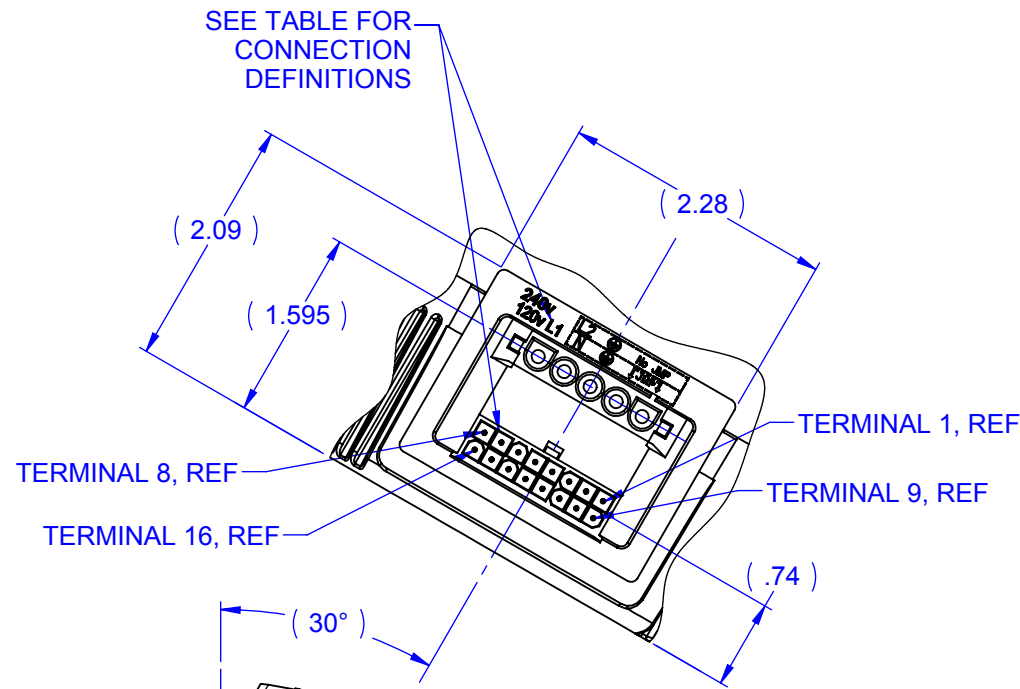


L1	AC LINE	POWER TERMINALS
N	AC LINE	
	GROUND	
JMP	120 VAC: USE LINE INPUT JUMPER 240 VAC: NO JUMPER SEE NOTE 4	
1	C1	SIGNAL I/O TERMINALS
2	W/W1	
3	C2	
4	DELAY	
5	COOL	
6	Y1	
7	ADJUST	
8	OUT-	
9	O	
10	BK/PWM	
11	HEAT	
12	R	
13	EM/W2	
14	Y1/Y2	
15	G	
16	OUT+	



NAMEPLATE DATA	
MODEL	5SAB39CLQ0000
CUSTOMER NAME	ALL
STOCK #	5560
H.P.	1/3
RPM	N/R
VOLTS	120/240
HZ	60/50
AMPS	N/R
ROTATION	CCW/CW

SEE NOTE 2

- NOTES:
- BELLY BAND MUST BE PLACED WITHIN AREA "A" ONLY (STK. + .25).
 - OPTIONAL EXTERNAL #8 SELF TAPPING GROUND SCREW AND TERMINAL MAY BE PROVIDED BY CUSTOMER AT LOCATION SHOWN.
 - DIMENSIONS IN PARENTHESES ARE FOR REFERENCE ONLY.
 - WARNING: APPLYING 240VAC LINE INPUT WITH JUMPER APPLIED WILL PERMANENTLY DAMAGE UNIT.

				TOLERANCES UNLESS SPECIFIED		DRAWN DEB 03/10/10	
				DEC	INCHES	CHK DEB 10/16/10	
				X	-	APPR	
2	UPDATED AS PER IS: 11-1930 & 11-1538	SBD 05/02/11	PSG	.XX	-	TITLE	OUTLINE
1	UPDATED BELLY BAND LOC. NOTE #1	MAM 3/22/2011		.XXX	-	SCALE	1:1.6
0	INITIAL RELEASE	DEB 03/16/10	JH	.XXXX	-	REF	EON 1/3 HP STANDARD EFFICIENCY
NO	REVISION	BY & DATE	CHK	ANG	-	MAT'L	FMF
			RFP			FINISH	
						PREV	
						SIZE	DRAWING NO
						B	5SAB39CLQ0000
						REV	2
						NETWORK FILE NAME	5SAB39CLQ0000

