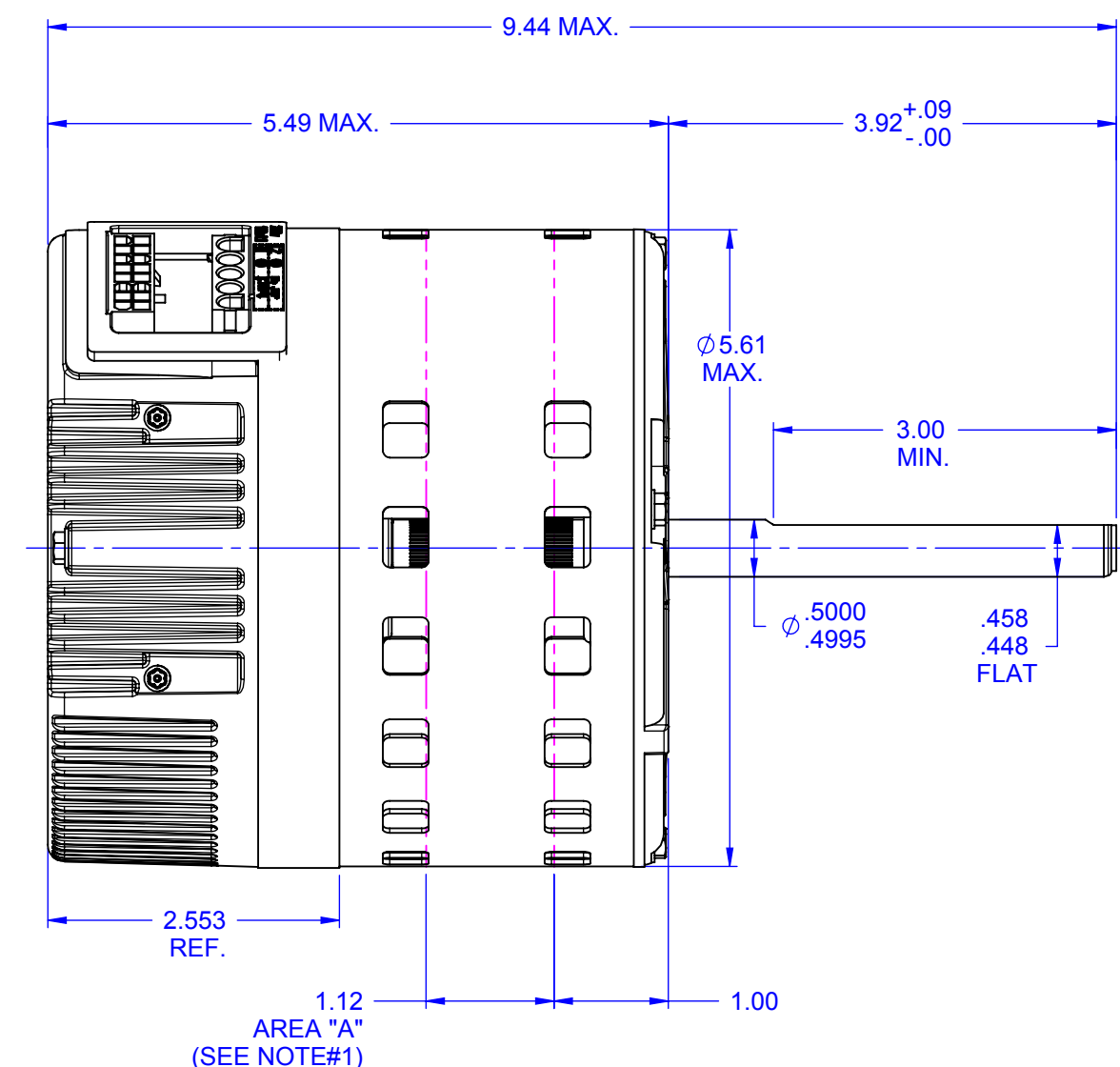
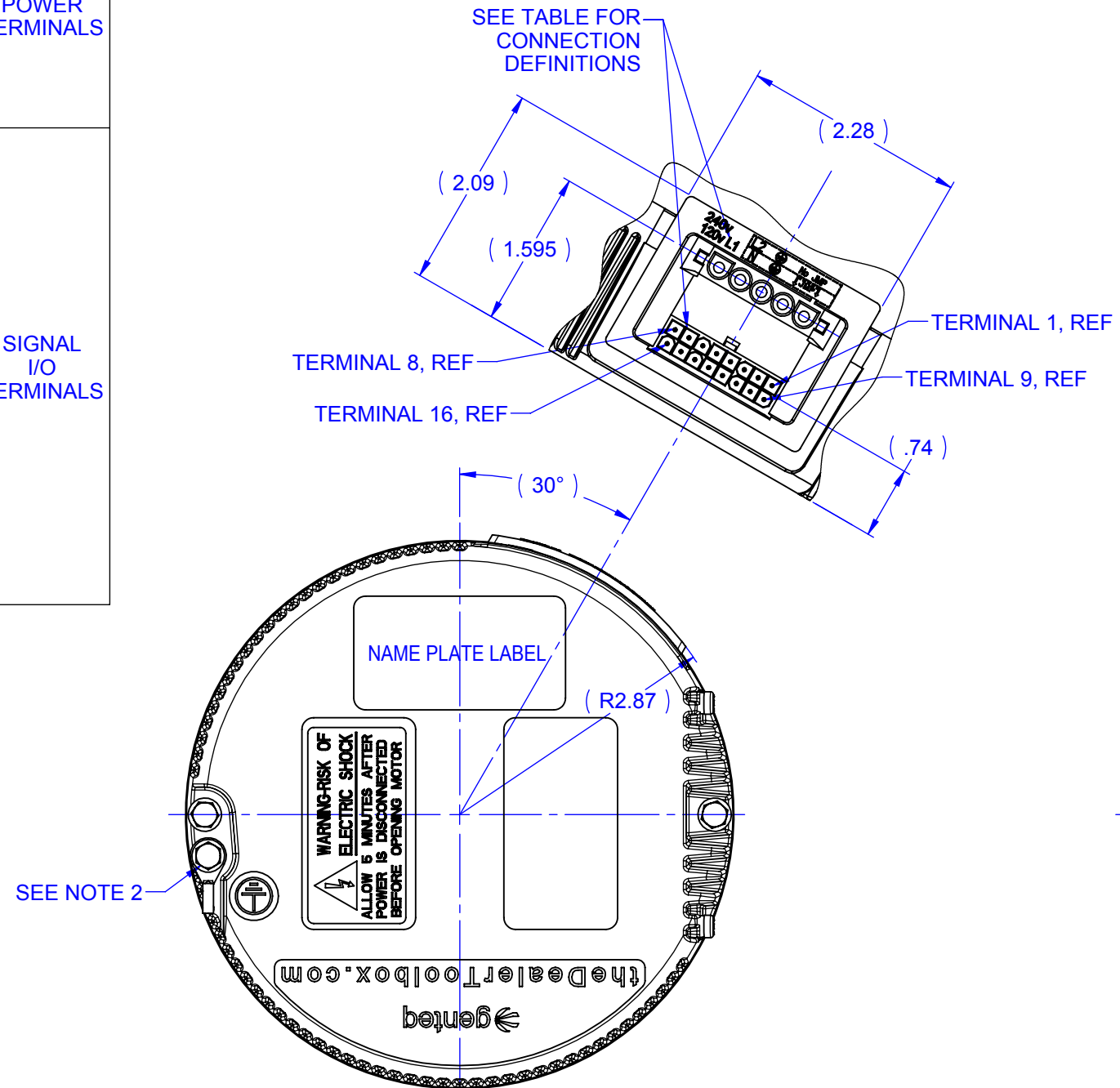


L1	AC LINE	POWER TERMINALS
N	AC LINE	
	GROUND	
JMP	120 VAC: USE LINE INPUT JUMPER 240 VAC: NO JUMPER SEE NOTE 4	
1	C1	SIGNAL I/O TERMINALS
2	W/W1	
3	C2	
4	DELAY	
5	COOL	
6	Y1	
7	ADJUST	
8	OUT-	
9	O	
10	BK/PWM	
11	HEAT	
12	R	
13	EM/W2	
14	Y1/Y2	
15	G	
16	OUT+	



NAMEPLATE DATA	
MODEL	5SAD39CLQ0004
CUSTOMER NAME	ALL
STOCK #	5561
H.P.	1/3
RPM	N/R
VOLTS	120/240/277
HZ	60/50
AMPS	N/R
ROTATION	CCW/CW

- NOTES:
- BELLY BAND MUST BE PLACED WITHIN AREA "A" ONLY (STK. + .25).
  - OPTIONAL EXTERNAL #8 SELF TAPPING GROUND SCREW AND TERMINAL MAY BE PROVIDED BY CUSTOMER AT LOCATION SHOWN.
  - DIMENSIONS IN PARENTHESES ARE FOR REFERENCE ONLY.
  - WARNING: APPLYING 240VAC LINE INPUT WITH JUMPER APPLIED WILL PERMANENTLY DAMAGE UNIT.

				TOLERANCES UNLESS SPECIFIED		DRAWN DEB 03/10/10	
				DEC	INCHES	CHK DEB 03/16/10	
2	UPDATED AS PER IS: 11-1930 & 11-1538	SBD 05/03/11	PSG	X	-	TITLE	OUTLINE
1	UPDATED BELLY BAND LOC. NOTE#1	MAM 3/29/2011		.XXX	-		EON 1/3 HP STANDARD EFFICIENCY
0	INITIAL RELEASE	DEB 03/16/10	JH	.XXXX	-	MAT'L	FMF
NO	REVISION	BY & DATE	CHK	ANG	-	FINISH	PAGE 1 OF 1
				RFP	PREV	SIZE	DRAWING NO
				NETWORK FILE NAME 5SAD39CLQ0004		B	5SAD39CLQ0004
							REV 2

