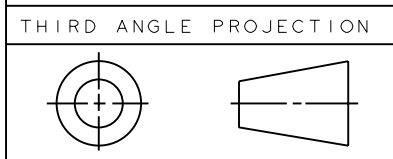
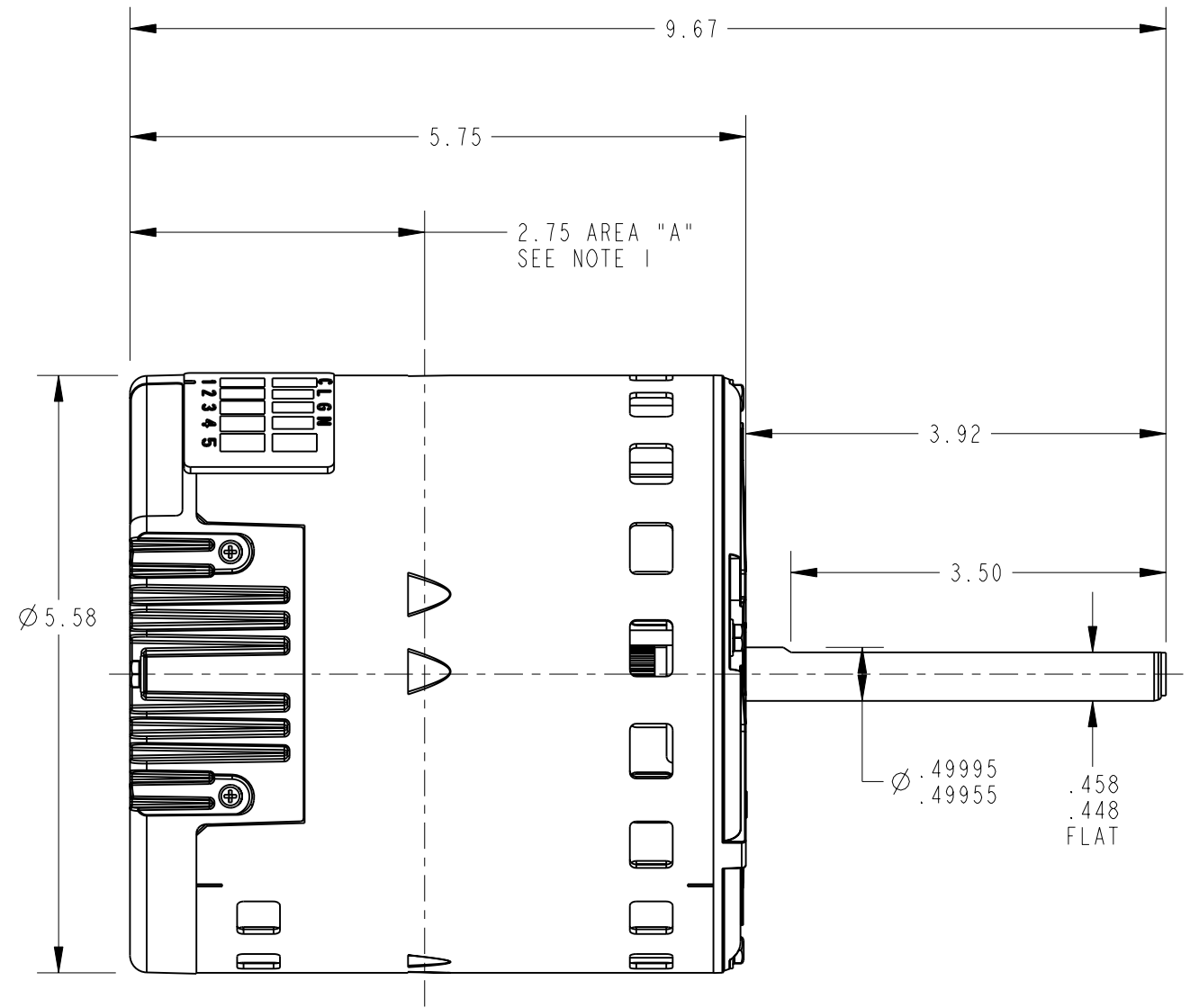
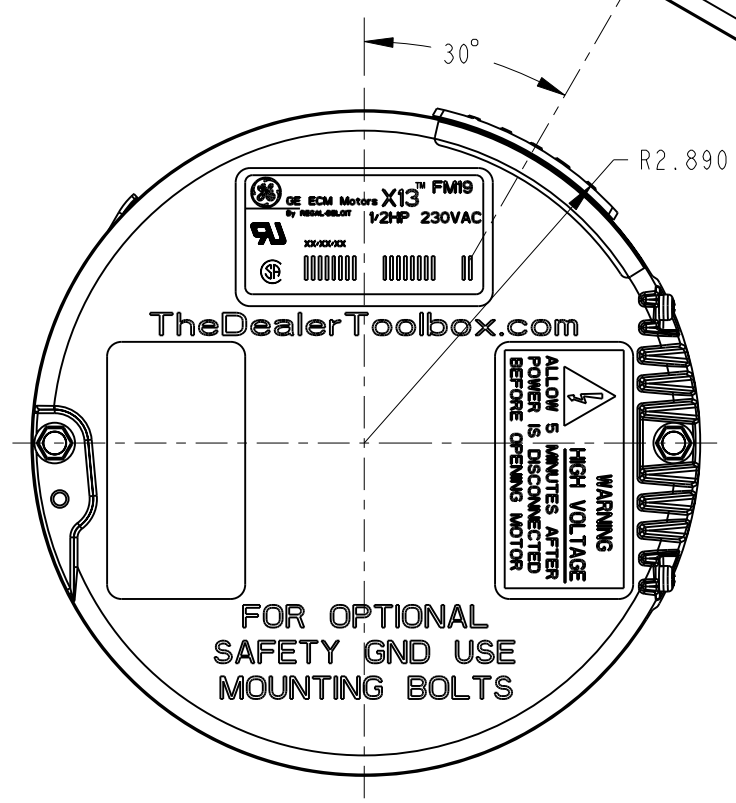
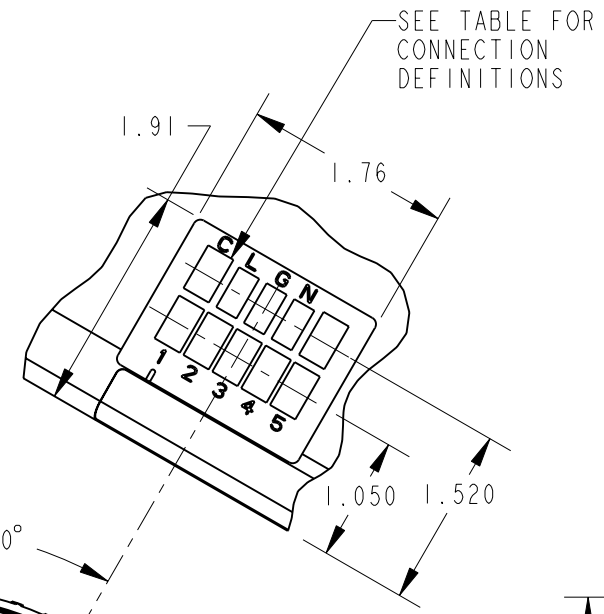


CONNECTOR ID	DESCRIPTION	OPERATING MODE	OPERATING MODE W/ OPTIONAL OUTPUT	PROGRAMMING MODE
C	SIGNAL COMMON	SIGNAL COMMON	SIGNAL COMMON	SIGNAL COMMON
L	LINE1	LINE1	LINE1	LINE1
G	GROUND	GROUND	GROUND	GROUND
N	LINE2	LINE2	LINE2	LINE2
1	TAP 1	TORQUE PT 1 (IF APPLICABLE)	TORQUE PT 1 (IF APPLICABLE)	DATA IN
2	TAP 2	TORQUE PT 2 (IF APPLICABLE)	TORQUE PT 2 (IF APPLICABLE)	
3	TAP 3	TORQUE PT 3 (IF APPLICABLE)	TORQUE PT 3 (IF APPLICABLE)	
4	TAP 4	TORQUE PT 4 (IF APPLICABLE)	OUTPUT SIGNAL	DATA OUT
5	TAP 5	TORQUE PT 5 (IF APPLICABLE)	+12VDC	+12VDC

RBC PROPRIETARY AND CONFIDENTIAL INFORMATION  
 This document is the property of REGAL BELOIT CORPORATION ("RBC") including its subsidiaries and divisions and contains proprietary information of RBC. This document is loaned on the express condition that neither it nor the information contained therein shall be disclosed to others without the express written consent of RBC, and that the information shall be used by the recipient only as approved expressly by RBC. This document shall be returned to RBC upon its request. This document may be subject to certain restrictions under U.S. export control laws and regulations.

REVISIONS			
REV.	DESCRIPTION	DATE	APPROVED



NOTES:  
 1. BELLY BAND MUST NOT BE PLACED WITHIN AREA "A".  
 2. APPROXIMATE WEIGHT IS 11.4 LBM.

FOR ADDITIONAL INFO REFER TO:	SIGNATURES	DATE
APPLIED PRACTICES	MODEL D.E. BAIR	02/15/05
DIMENSIONS ARE IN INCHES	DETAIL D.E. BAIR	02/16/05
TOLERANCE ON:	CHECKED D.E. BAIR	02/17/05
1 PL DECIMALS ± 0.0	ENGRG S. BRAHMAVAR	02/17/05
2 PL DECIMALS ± 0.02	MFG	
3 PL DECIMALS ± 0.005	QUALITY	
ANGLES ± 1.0	ISSUED D.E. BAIR	02/17/05
FRACTIONS ±		
FINISH		
MATERIAL	SOLID MODEL: 5SME39HXL015A	

**REGAL BELOIT CORPORATION**

**OUTLINE**  
**X13 PLATFORM**  
**1/2 HP 208-230 VOLT**

**5SME39HXL015A** REV 0

SCALE: 0.620 REF. No: SHEET 1 of 1