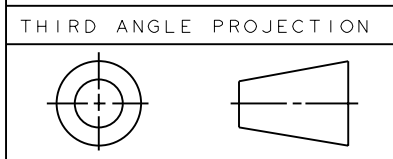
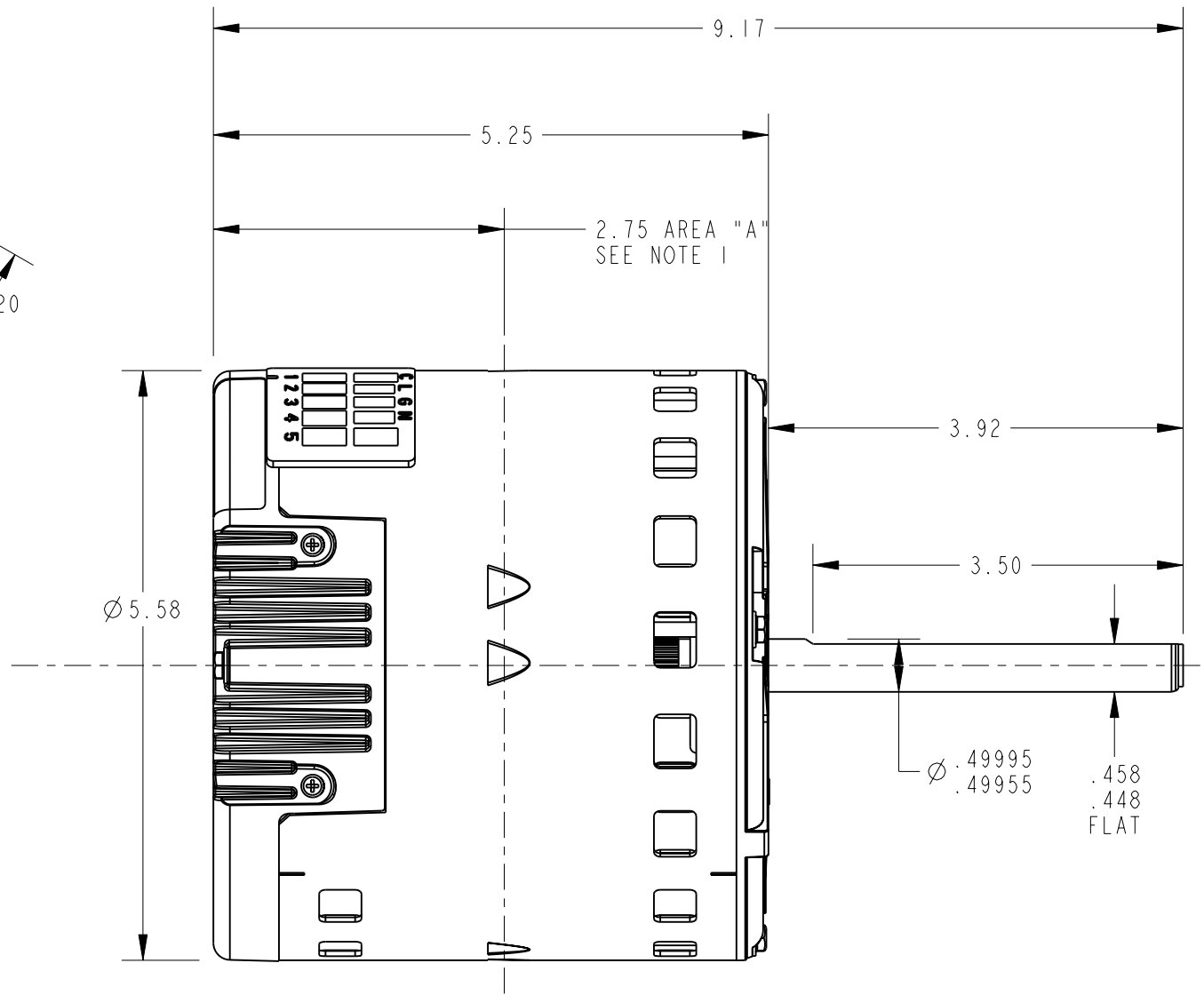
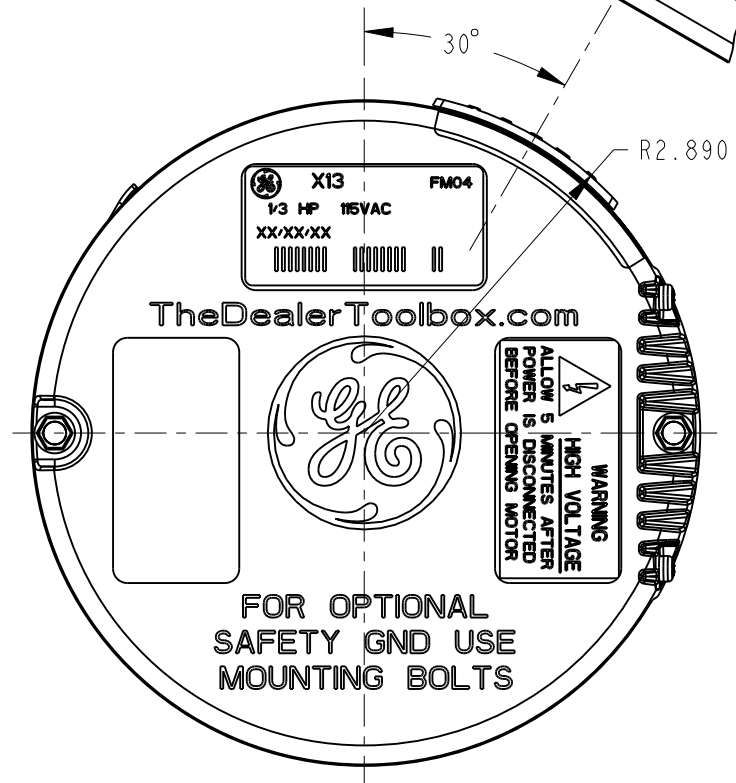
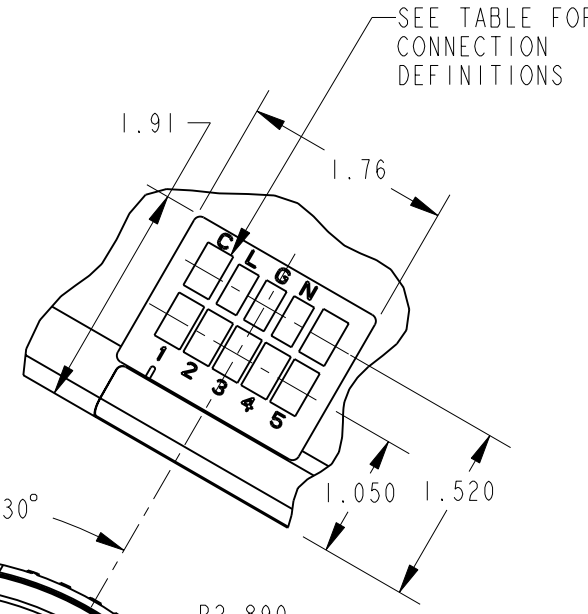


CONNECTOR ID	DESCRIPTION	OPERATING MODE	OPERATING MODE W/ OPTIONAL OUTPUT	PROGRAMMING MODE
C	SIGNAL COMMON	SIGNAL COMMON	SIGNAL COMMON	SIGNAL COMMON
L	LINE	LINE	LINE	LINE
G	GROUND	GROUND	GROUND	GROUND
N	NEUTRAL	NEUTRAL	NEUTRAL	NEUTRAL
1	TAP 1	TORQUE PT 1 (IF APPLICABLE)	TORQUE PT 1 (IF APPLICABLE)	DATA IN
2	TAP 2	TORQUE PT 2 (IF APPLICABLE)	TORQUE PT 2 (IF APPLICABLE)	
3	TAP 3	TORQUE PT 3 (IF APPLICABLE)	TORQUE PT 3 (IF APPLICABLE)	
4	TAP 4	TORQUE PT 4 (IF APPLICABLE)	OUTPUT SIGNAL	DATA OUT
5	TAP 5	TORQUE PT 5 (IF APPLICABLE)	+12VDC	+12VDC

GE PROPRIETARY AND CONFIDENTIAL INFORMATION
 This document is the property of General Electric Company ("GE") and contains proprietary information of GE. This document is loaned on the express condition that neither it nor the information contained therein shall be disclosed to others without the express written consent of GE Industrial Systems, and that the information shall be used by the recipient only as approved expressly by GE Industrial Systems. This document shall be returned to GE upon its request. This document may be subject to certain restrictions under U.S. export control laws and regulations.

REVISIONS			
REV.	DESCRIPTION	DATE	APPROVED



NOTES:
 1. BELLY BAND MUST NOT BE PLACED WITHIN AREA "A".
 2. APPROXIMATE WEIGHT IS 8.7 LBM.

FOR ADDITIONAL INFO REFER TO:	SIGNATURES	DATE
APPLIED PRACTICES	MODEL D.E. BAIR	04/01/05
DIMENSIONS ARE IN INCHES	DETAIL D.E. BAIR	04/01/05
TOLERANCE ON:	CHECKED D.E. BAIR	04/01/05
1 PL DECIMALS ± 0.0	ENGRG S. BRAHMAVAR	04/01/05
2 PL DECIMALS ± 0.02	MFG	
3 PL DECIMALS ± 0.005	QUALITY	
ANGLES ± 1.0	ISSUED D.E. BAIR	04/01/05
FRACTIONS ±		
FINISH		
MATERIAL	SOLID MODEL: 5SME39DXL012	

GE Industrial Systems GENERAL ELECTRIC COMPANY

TITLE: **OUTLINE**
X13 PLATFORM
1/3 HP 115 VOLT

SIZE DRAWING: **B** **5SME39DXL012** REV **0**

SCALE: 0.620 REF. No: SHEET 1 of 1