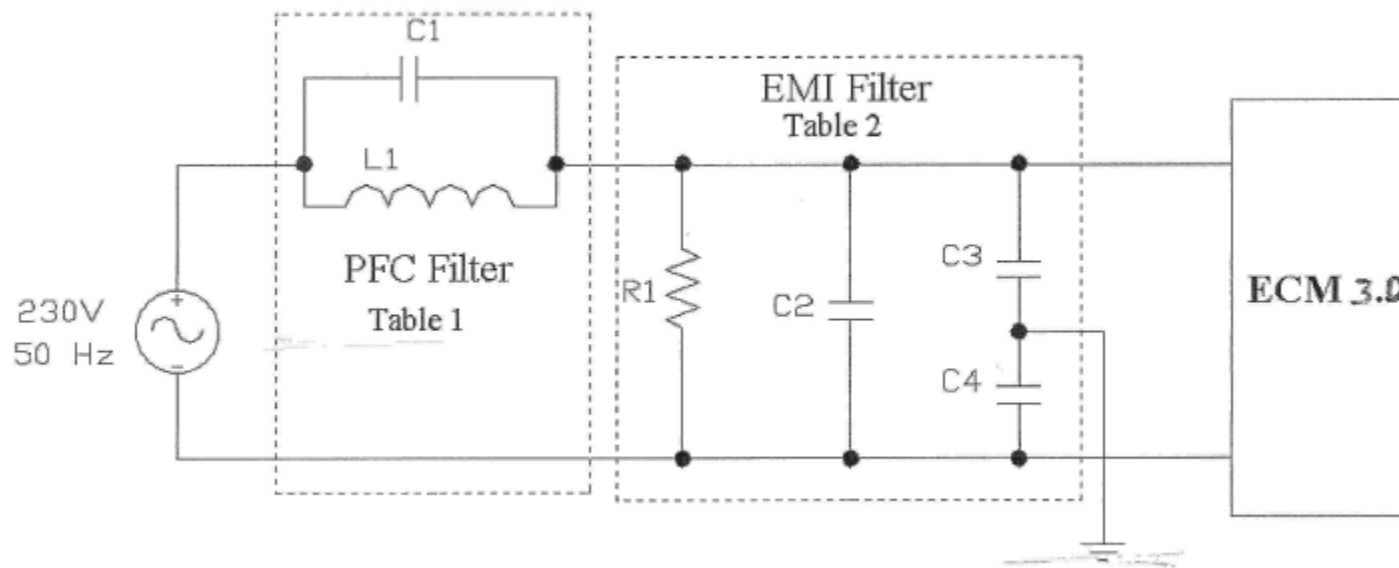


CE Compliance for Genteq ECM 3.0 Motor

Standard	Description
IEC 60335-1	Safety of Household & Similar Electrical Appliances (Test Report)
IEC 60730-1	Automatic Electrical Controls for Household & Similar Use (CB Certificate & Test Report)

Standard	Description	Test Result
IEC 61000-4-2	Electrostatic Discharge	Passed
IEC61000-4-4	EFT/Burst Immunity	Passed
IEC 61000-4-5	Surge Immunity	Passed
IEC 61000-4-8	Power Freq. Magnetic Field Immunity	Passed
IEC 61000-4-11	Voltage Dips & Variations	Passed
IEC 61000-4-28	Influence of Supply Freq. Variations	Passed

Standard	Description	Test Result w/External Filter (Fig 1)
IEC 61000-3-2	Harmonics Current Emission	Passed
IEC 61000-3-3	Flicker	Passed
IEC 61000-4-3	Immunity to Radiated EMI	Passed
IEC 61000-4-6	Immunity to Conducted EMI	Passed
IEC 61000-4-13	Harmonics & Interharmonics	Passed
EN 55014-1	Disturbance Power	Passed



HP	L1	C1
1	12 mH	12.5 μ F
3/4	12 mH	12.5 μ F
1/2	6 mH	—
1/3	6 mH	—

Filter Procond: 411.70.100
R1 = 680 k Ω
C2 = 0.47 μ F
C3 = 0.025 μ F
C4 = 0.025 μ F

Figure 1: PFC & EMI Filters

HP	Part	Part#	Source
1 & 3/4	12mH/6A	3-1672104-2	Tyco Electronics
1/2	6mH/6A	3-1611476-8	"
1/3	6mH/3A	3-1611476-0	"
1 & 3/4	12.5mF	97F8060S	GE

Additional Comments

1. PFC filter inductor specifications are available upon request for investigating alternate sources.
 - RBC inductor specification: 8794723JW
 - TE drawing for 1672104-2: C-7303GE
 - TE drawing for 1611476-8: C-7226GE
 - TE drawing for 1611476-0: C-7227GE
2. The EMI filter shown was utilized to comply with standards. Alternatively, suitable commercially available filters may also work.
3. The CB test report on the electronic control is available upon request.